


DRI 674 M5 Stone Bank development

- Heated Lamps
- Liquor Locker
- Recycling Area Lighting
- Fish Tank
- Master Deed



PUBLIC PATH TO
MAIN STREET

ECLIPSE SMART-HEAT™ ELECTRIC

Dim the lights and turn up the heat with our
Eclipse Smart-Heat™ Electric heater.

Available in six unique mounting options,
the new Bromic Eclipse Smart-Heat™ series adds style,
warmth and light to design-focused outdoor spaces.



ECLIPSE
SMART-HEAT™ ELECTRIC

SPECIFICATIONS

Reference the specification guide below to help you select the correct solution for your needs.

MODEL

PRODUCT CODE	BH0920001-1
FUEL TYPE	ELECTRIC (2900W)
COLOR	MATTE BLACK
MATERIAL (HEATER HEAD)	PREMIUM COATED 304 STAINLESS STEEL
MATERIAL (MOUNTING ARMS)	PREMIUM, DOUBLE COATED STEEL
HEAT AREA	121FT ²
LED COLOR	WARM WHITE - DIMMABLE
LED TEMPERATURE	3000K
LED LUMENS	216.6
RATED CURRENT & VOLTAGE	11.4 A (220V) / 11.8 A (230V) / 12.1 A (240V)
MINIMUM FLOOR CLEARANCE	CEILING 96" WALL 96"

MOUNTING OPTIONS

WALL MOUNT	BH3230006 (OPTIONAL)
8" STRAIGHT CEILING MOUNT POLE	BH3230001 (OPTIONAL)
24" STRAIGHT CEILING MOUNT POLE	BH3230002 (OPTIONAL)
24" TWIN STRAIGHT CEILING MOUNT POLE	INCLUDED
24" CURVED CEILING MOUNT POLE	BH3230004 (OPTIONAL)
48" STRAIGHT CEILING MOUNT POLE	BH3230005 (OPTIONAL)

CONTROL OPTIONS

DIMMER CONTROL	BH3230007-1 (RECOMMENDED)
MASTER REMOTE ECLIPSE*	BH3623002-1 (OPTIONAL)

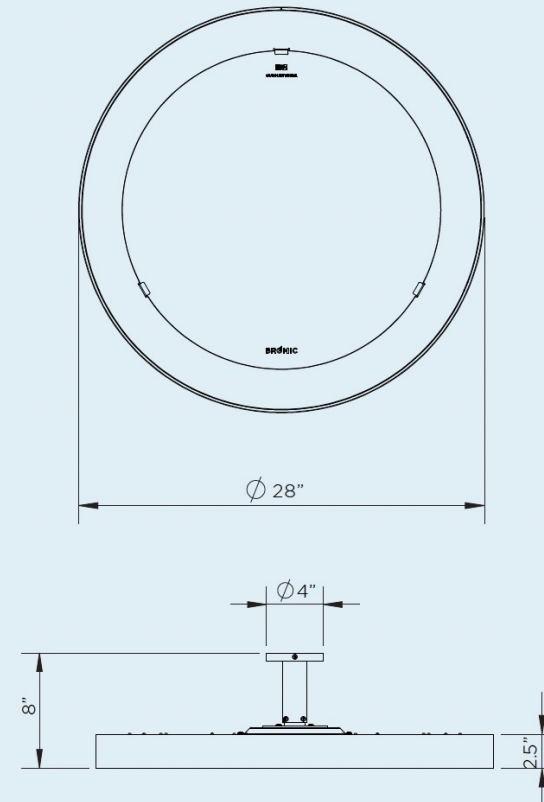
Measurements displayed within this catalog are minimum requirements for installation. Bromic takes no responsibility for incorrect or non-compliant installations. All measurements in this catalog are displayed in inches.

*Control up to six zones of heaters with unlimited heaters per zone from a single remote. Dimmer control required.

DIMENSIONS

With a wide range of sizes available, find the ideal heater to suit your outdoor space.

PRODUCT MEASUREMENTS





Model: _____ Item #: _____ Date: _____

Project: _____ Qty: _____ Approved By: _____

Royal Series Liquor Displays

Royal Series Underbar



KR24-24RD



Certified to NSF/ANSI 2

Standard Features

- Tiered bottle storage system that is easily accessible for bartenders
- Sound deadening technology
- Available in 3-step, 4-step, or 5-step
- Locking covers available for 4-step models

Specifications

Material

- Bottle Steps: 20 gauge stainless steel
- Guardrails: 20 gauge stainless steel
- Backsplash: 20 gauge stainless steel
- Sides: 18 gauge stainless steel
- Back & Bottom: 20 gauge galvanized steel

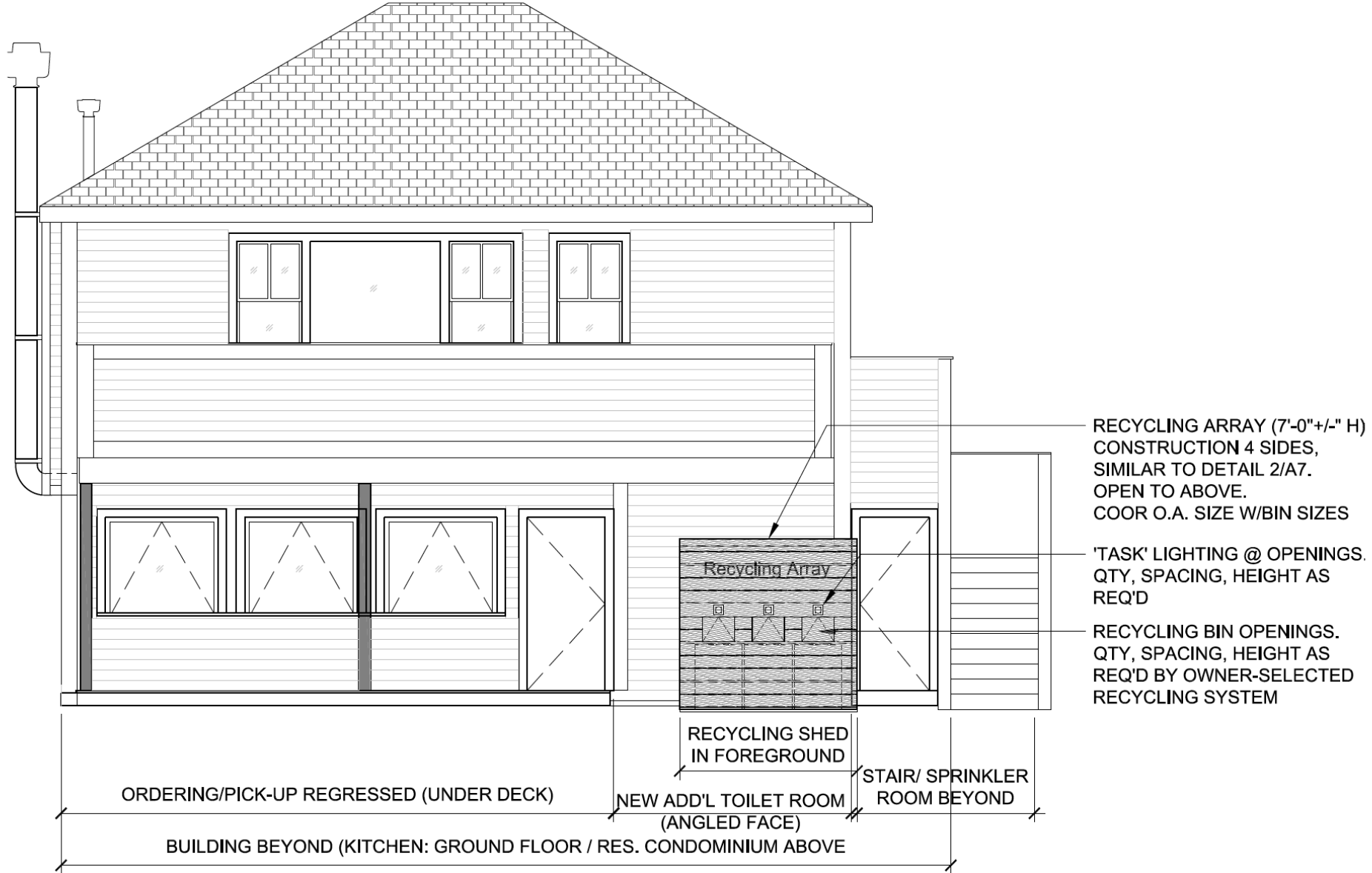
Legs

- 1-5/8" tubular 16 gauge stainless steel with grey plastic bullet foot

3-Step Liquor Displays

4-Step Liquor Displays

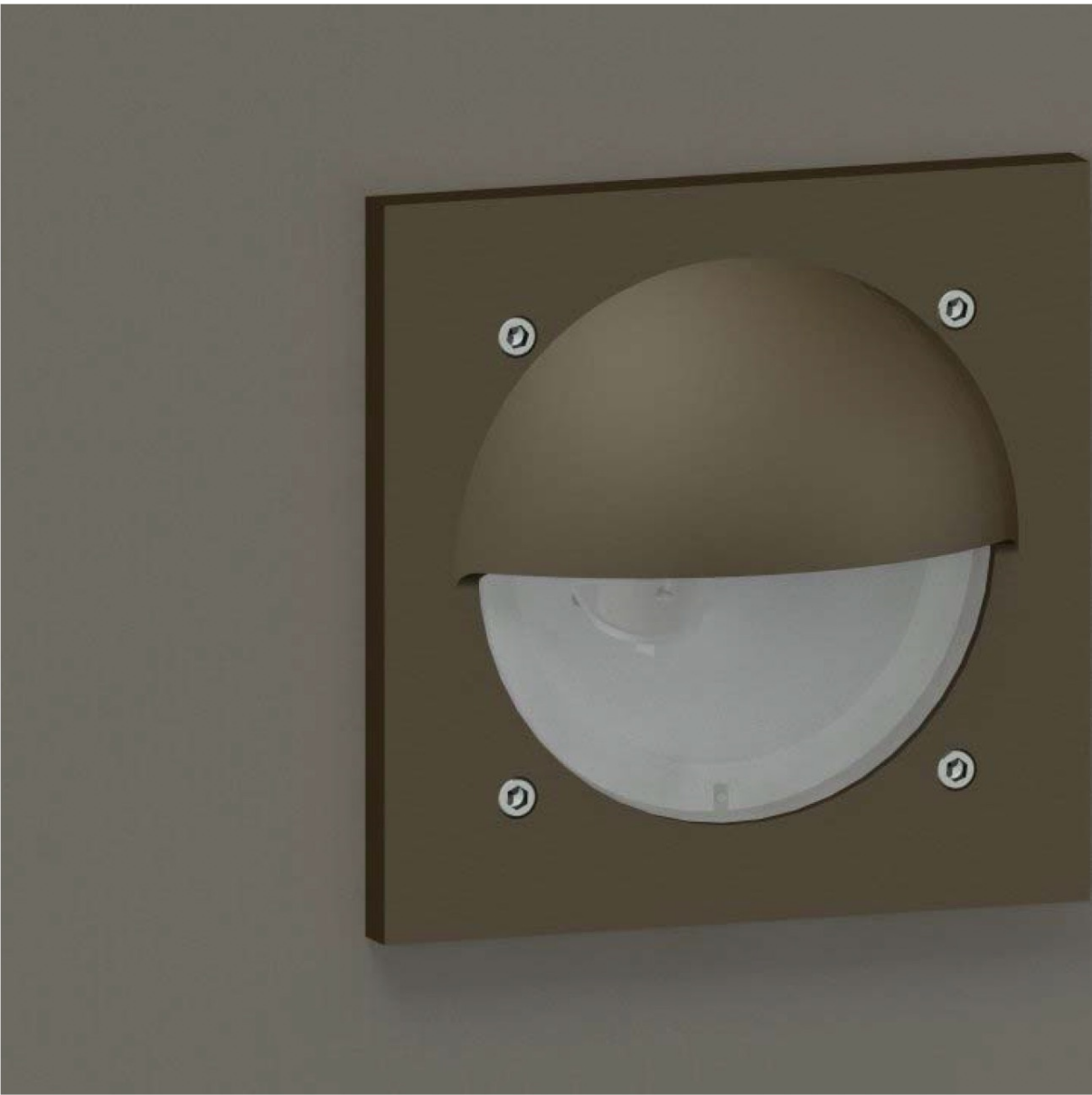
5-Step Liquor Displays



1

ELEVATION - Exterior Recycling Array 'Task' Lighting

SCALE: Not to scale



Product Specification

Description

Specification grade square step light with machined eyelid and internal 120/12-Volt electronic transformer. LED options available. Suitable for wet location installations.

Fixture Type

Step Lights

Material

- Machined Aluminum
- Machined Brass
- Machined Stainless Steel

Finish

- [Black Powder Coat \(BK\)](#)
- [Bronze Powder Coat \(BZ\)](#)
- [White Powder Coat \(WT\)](#)

Lamp Types

- G4 Bi-Pin Halogen
- Integral LED

LED Color, CCT

3000K

Lumen Output

- 3W LED - 93 Lumens
- 8W LED - 154 Lumens

Lamp Included

Yes

Wattage

- 35W - Halogen
- 3W - LED
- 8W - LED

Voltage

120 Volts



Fish Tank Withdrawn





24 Union Court
(office, ATM)

trellis
brick

LCA
24 Union Court

low granite walls

LCA
8 Union Court A

canopy
10/30/23

low granite walls

conc. walk

54.25'
N 12°05'00"E

CB F

31.51'
N 48°27'15"E

58.79'
S 80°44'20"E

139%

Tow
Un
App

Master Deed Amendment

- Clerical Corrections
- Designates Responsibility for Carport

