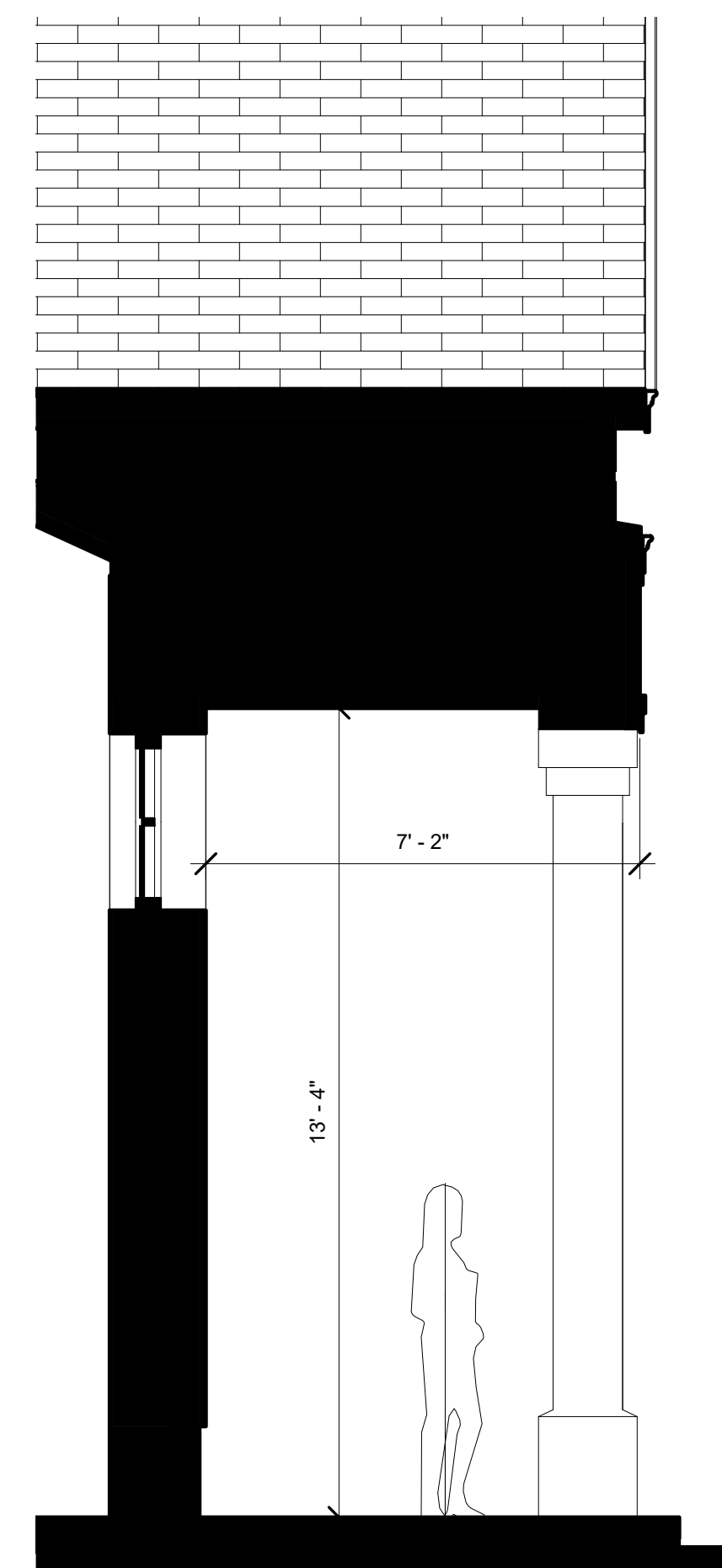
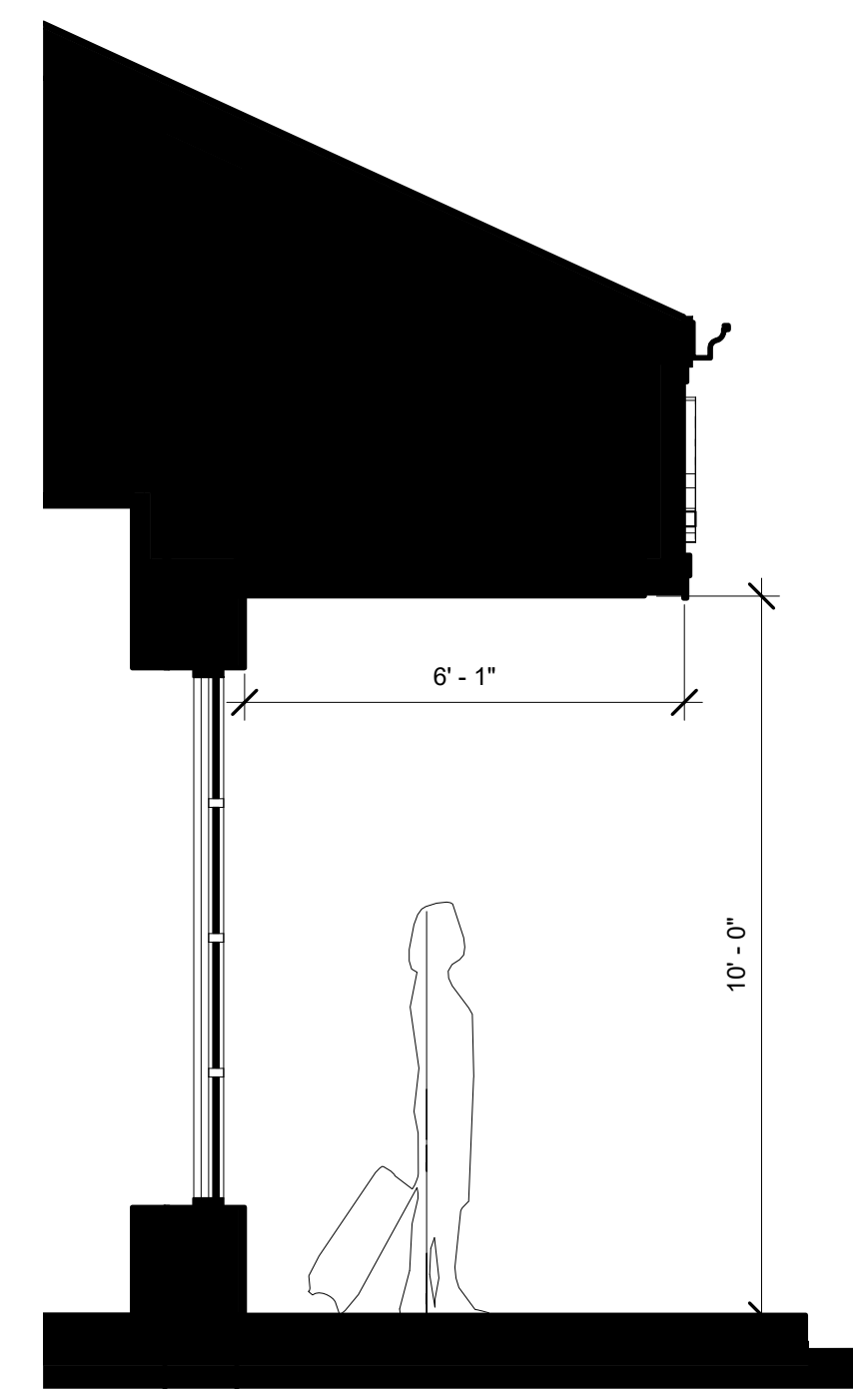


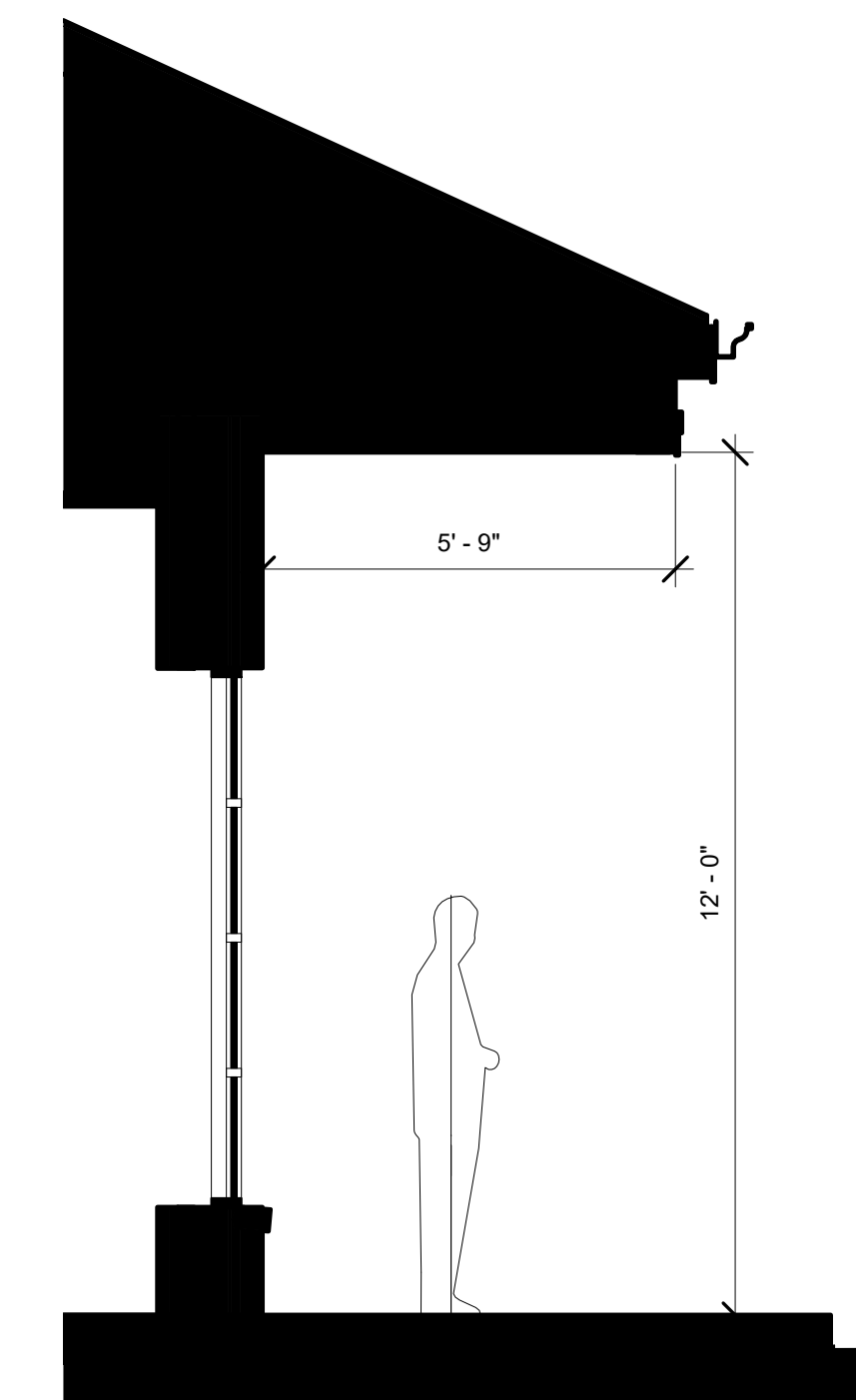
5 NEW CANOPY - LEFT FRONT & SIDE
3/8" = 1'-0"



4 NEW ENTRANCE GABLE
3/8" = 1'-0"



3 EXISTING BUILDING AND CANOPY SIGNBAND
3/8" = 1'-0"



2 EXISTING BUILDING - MODIFIED CANOPY
3/8" = 1'-0"