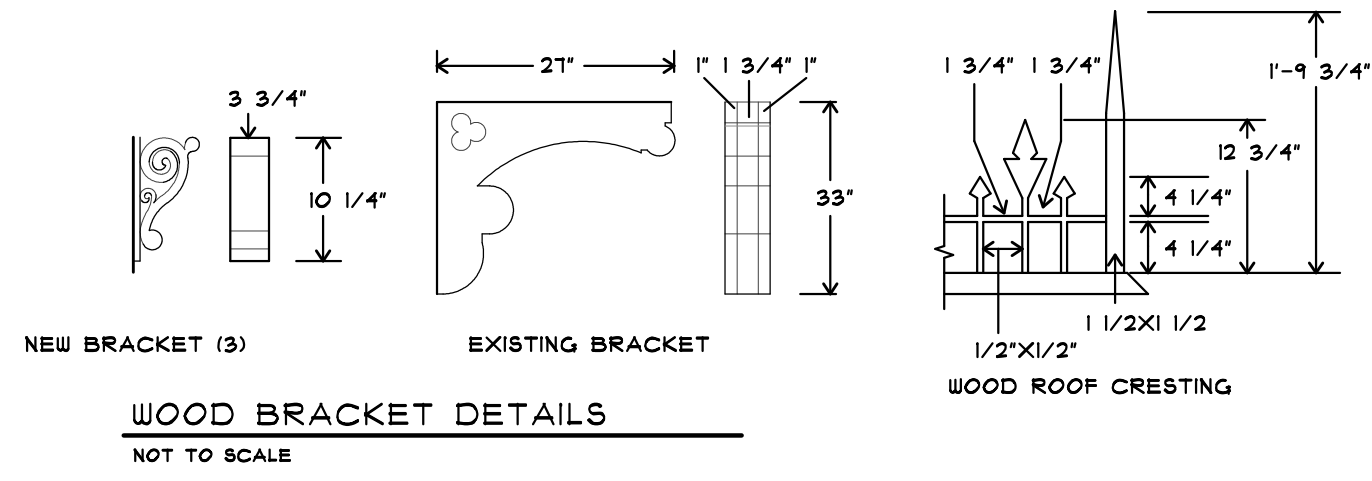


<b>Proposed floor plans</b> <b>10 Oak Bluffs Avenue</b> <b>Oak Bluffs, Massachusetts</b>		Manha's Vineyard Office 107 Beach Rd., Suite 202, Oak Bluffs, MA 02568 Phone: (508) 893-9526; Fax: (508) 893-4833	Scale: 1/4"=1'-0" JOB NO.: 101954 DATE: 3/13/2019	Drawn By: EMD Designed By: EMD Checked By:	Revisions: A PROGRESS PRINT B PROGRESS PRINT C PROGRESS PRINT	Date: 11/16/2018 1/20/2019 3/13/2019	By: EMD EMD EMD
		Sheet: <b>A.1</b>					

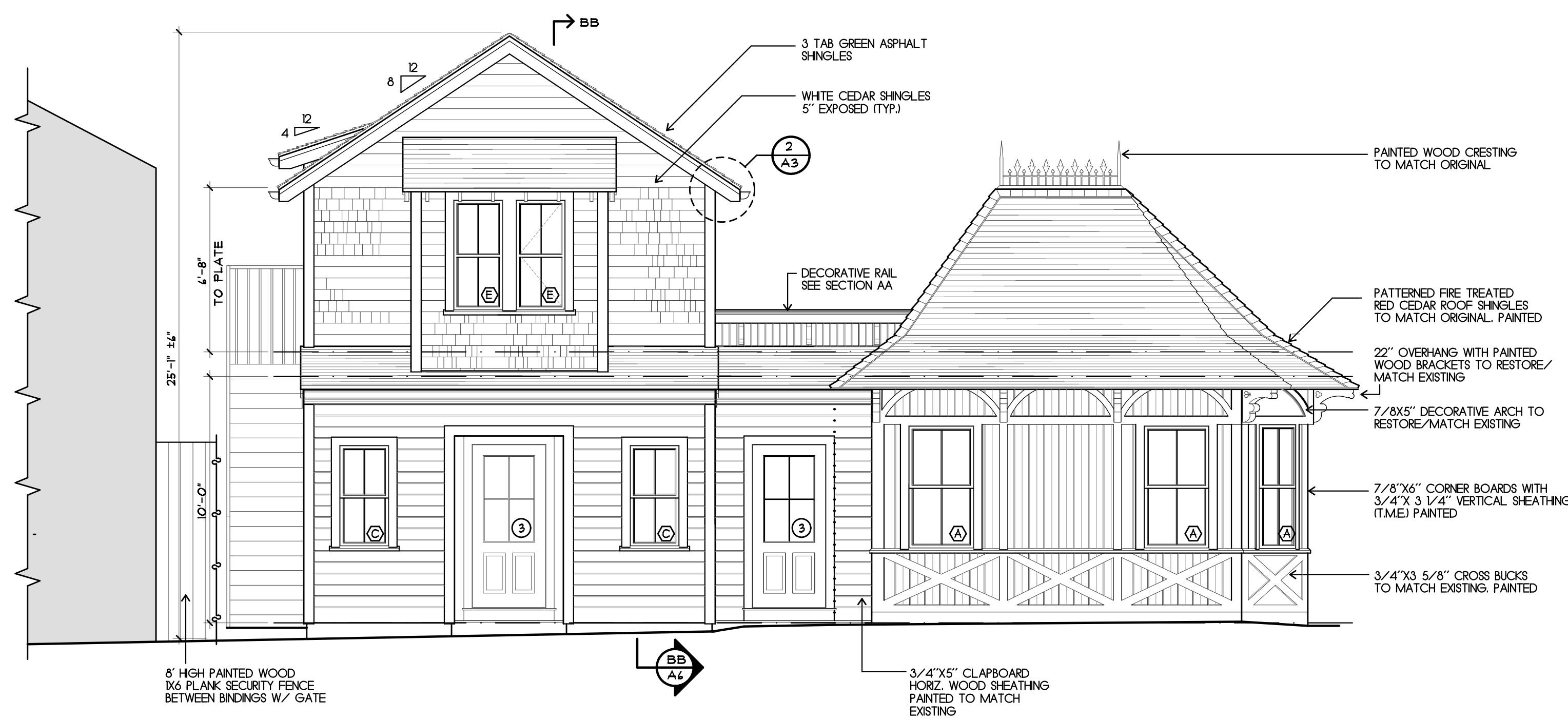


- 1 RED CEDAR SHINGLES (FIRE TREATED)
- 2 EXPOSED 3/4"x5 1/2" UNDERSIDE ROOF OVERHANG PAINTED
- 3 1/8"x5" DECORATIVE ARCH BOARD (T.M.E.)
- 4 SEE BRACKET DETAIL
- 5 1/8"x5 1/2" PAINTED TRIM BOARD PAINTED (T.M.E.)
- 6 1/8"x4" WOOD CORNER BOARDS (T.M.E.)
- 7 3/4"x3 3/4" VERTICAL WINDOW CASING
- 8 3/4"x3 1/4" VERTICAL WOOD SHEATHING PAINTED
- 9 1/8"x4" WOOD PAINTED CORNER BOARDS (T.M.E.)
- 10 1/8"x4" WOOD PAINTED CORNER BOARDS (T.M.E.)
- 11 1/4"x2 1/4" WINDOW SILL WITH 3/4"x3 3/4" TRIM BOARD BELOW (T.M.E.)

- 12 1/8"x4" WOOD PAINTED CORNER BOARDS (T.M.E.)
- 13 1/8"x4" WOOD PAINTED CORNER BOARD BELOW SILL
- 14 3/4"x3 5/8" WOOD CROSS BUCKS PAINTED (T.M.E.)
- 15 3/4"x3 1/4" VERTICAL INFILL WOOD SHEATHING
- 16 3/4"x5 1/4" BASEBOARD (T.M.E.)



PROPOSED WEST ELEVATION  
SCALE 1/4"=1'-0"



PROPOSED SOUTHEAST ELEVATION  
SCALE 1/4"=1'-0"



PROPOSED NORTH ELEVATION  
SCALE 1/4"=1'-0"

By:	EMD
Date:	11/16/2018
Revisions:	EMD
△ PROGRESS PRINT	1/20/2019
△ PROGRESS PRINT	3/13/2019
△ PROGRESS PRINT	5/18/2021
Drawn By:	EMD
Designed By:	EMD
Checked By:	
Scale:	AS NOTED
JOB NO.:	101954
DATE:	5/18/2021
Merrick's Vineyard Office P.O. Box 4438, Vineyard Pt. Phone: (508) 856-5633, Fax: (508) 856-4833	
Proposed Elevations 10 Oak Bluffs Avenue Oak Bluffs, Massachusetts	
Sheet:	A.2