



Martha's Vineyard Commission

OLD STONE BUILDING • 33 NEW YORK AVENUE
PO BOX 1447 • OAK BLUFFS, MA 02557
PHONE: (508) 693-3453 • FAX: 508-693-7894
INFO@MVCOMMISSION.ORG • WWW.MVCOMMISSION.ORG

July 21, 2021

Wendy Brough
Assistant Town Administrator
PO Box 1327
Oak Bluffs, MA 02557

Re: LUPC approval of DRI 678-M Landscape and Lighting Plans

Dear Wendy,

I am writing to inform you that on Monday, June 14; and Monday, July 12, 2021, the MVC Land Use Planning Committee (LUPC) discussed the landscape and lighting plans for the Oak Bluffs Town Hall project, as required by Conditions 1.1 and 4.1 of the 2020 Decision for DRI 678-M. At the June 14 meeting, the LUPC determined that further revisions were needed to the lighting plan, including the following:

1. Site lighting poles should not exceed 14' in height, with 12' preferred.
2. The two existing parking lot poles should be noted on the plans.
3. One lighting pole should be relocated to the top of the library stairs on Pacific Ave.
4. The poles at the curved walk should be replaced with bollards.
5. The flag pole should be moved north (to the other side of the curved walk) so as to minimize impact on green space.
6. Lighting at the south portico should focus on the entrance, with reduced lighting for the other fixtures.
7. All exterior lights should be no more than 3,000 degrees Kelvin.
8. The plan should show the location of electric vehicle charging stations.
9. A plan without foot candle readings should be provided.
10. The flag pole light should be included in the lighting calculations.

The Applicant worked with Commissioner Fred Hancock and MVC staff to revise the lighting plan, and a final revision was submitted on July 6, with further updates on July 12. The final revision with updates is attached here. At the meeting on July 12, the LUPC voted to approve the landscape plan as proposed, and the lighting plan as revised, with the exception that the flag pole light will not be included. The LUPC also determined that the lighting pole for the

stairs leading down from Pacific Ave. will be located at the midway point of the stairway, between Pacific Ave. and the Town Hall.

The Town may now proceed with the permitting process.

If you have any questions, or if there is anything we can help with, please let me know.

Sincerely,

A handwritten signature in cursive script that reads "Alex Elvin".

Alex Elvin
DRI Coordinator

cc: Deborah Holtzer-Potter
Tom Perry
Ned Collier
Fred Hancock



101 SUMMER ST
BOSTON MA
02110

ICONARCH.COM
617.451.3333

Adam Turner
Executive Director
Martha's Vineyard Commission
33 New York Avenue
Oak Bluffs MA 02557

~~April 24, 2021 Updated: May 26, 2021~~ Updated: July 6, 2021

RE: Oak Bluffs Town Hall Site Lighting

Dear Adam,

Following up on our previous meetings with the Commission and the LUPC, please find attached the current site lighting plan, lighting FC analysis, and exterior light fixture cutsheets based on the feedback we received at the June LUPC meeting. The revisions include:

- Reduction of light pole heights from 16' to 14'.
- Bollards in lieu of three pole lights at curved walk.
- Relocation of one pole to Library exterior stair at Pacific.
- Clear identification of EV charging stations.
- Relabeling of existing parking lot poles to indicate existing to remain.
- Relocated flagpole and incorporation of flag light into fixture calculations.
- Change of all exterior fixtures to 3000° kelvin.
- South portico light fixtures adjusted to emphasize entrances.

We look forward to reviewing the above at the July 12 meeting.

Thank you,

A handwritten signature in black ink, appearing to read 'Ned A. Collier', with a long horizontal flourish extending to the right.

Ned A. Collier AIA, LEED AP
ncollier@iconarch.com
M: 617-460-7874
O: 617-451-3333

[July 12, 2021 update]

OAK BLUFFS TOWN HALL RENOVATION

56 SCHOOL ST., OAK BLUFFS, MA. 02557

TOWN OF OAK BLUFFS

ARCHITECT

E-ICON
ARCHITECTURE
101 SUMMER ST BOSTON MA 02110

CONSULTANT

CES
Consulting Engineering Services, LLC
128 Carnegie Row, Ste. 204
Norwood MA 02062
617.261.7161
ceseng.com
CES #2019175.00

STAMP

KEY PLAN

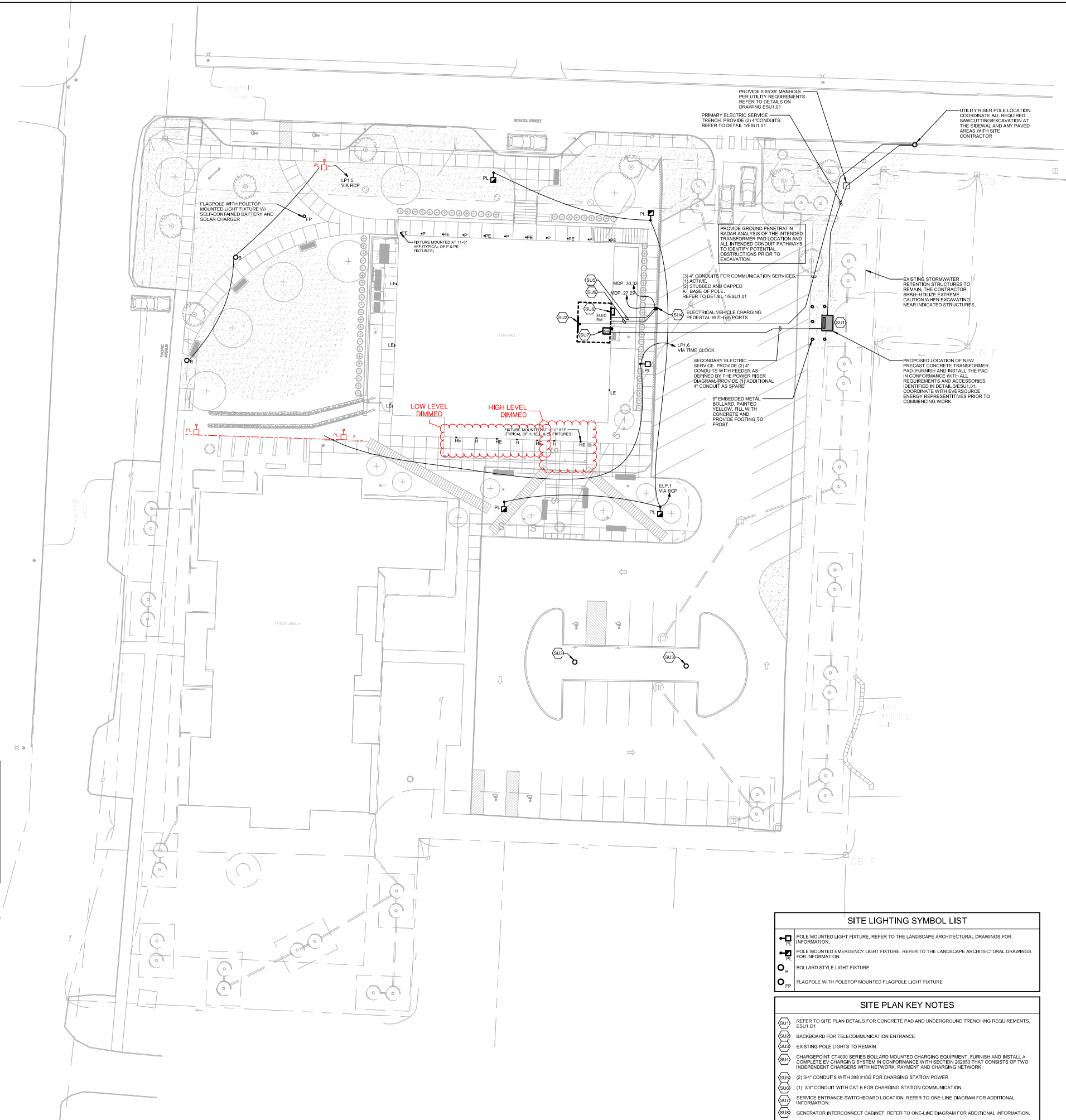
NO.	DATE	DESCRIPTION
7	06/22/2021	BULLETIN #5
5	05/06/2021	BULLETIN #3 / PR-006
4	02/02/2021	UTILITY COORDINATION
2	11/16/2020	BULLETIN #1 / AS1-005
	10/27/2020	Conform Set
1	09/28/2020	ADDENDUM 1
	09/14/2020	100% Construction Documents
	08/14/2020	PERMIT SET
	05/22/2020	GMP

PROJECT NUMBER: 219019
DRAWN BY: TLH
CHECKED BY: SJM

SHEET TITLE

ELECTRICAL SITE UTILITY PLAN

ESU1.00



- GENERAL NOTES - ELECTRICAL SITE**
- ALL CIRCUITS SHALL BE 2#12, #12G, 3/4", TO NEW 20A-1P CIRCUIT BREAKER IN PANEL INDICATED UNLESS NOTED OTHERWISE.
 - ALL BRANCH CIRCUITS EXCEEDING 150' IN LENGTH SHALL BE 2#10, #10G, 3/4", UNLESS NOTED OTHERWISE.
 - ALL DEVICES SHALL BE LABELED WITH SOURCE PANEL AND CIRCUIT NUMBER(S).
 - REFER TO DRAWINGS E0.00 & E6.01 FOR ELECTRICAL FIXTURE SCHEDULE, ELECTRICAL SYMBOLS, LEGENDS, AND ABBREVIATIONS.
 - COORDINATE ALL ELECTRIC UTILITY SERVICE WORK REQUIRED FOR THE PROJECT WITH EVERSOURCE ENERGY. CONTACT BRIAN @ 508-441-8832 FOR THE MOST UP TO DATE UTILITY PROPOSAL. THE TOWN OF OAK BLUFFS SHALL CARRY THE COST OF THE SERVICE WORK PROPOSAL. WORK UNDER THIS DIVISION SHALL FURNISH AND INSTALL ALL ITEMS AND SERVICES INDICATED HEREIN.
 - COORDINATE ALL COMMUNICATION UTILITY SERVICE WORK FOR COPPER ANALOG VOICE, UTILITY FIBER AND CABLE-TV/BROADBAND SERVICES WITH COMCAST SERVICE CENTER 11 ENTERPRISE RD, HYANNIS MA 02734-8881.

SITE LIGHTING SYMBOL LIST

	POLE MOUNTED LIGHT FIXTURE. REFER TO THE LANDSCAPE ARCHITECTURAL DRAWINGS FOR INFORMATION.
	POLE MOUNTED EMERGENCY LIGHT FIXTURE. REFER TO THE LANDSCAPE ARCHITECTURAL DRAWINGS FOR INFORMATION.
	BOLLARD STYLE LIGHT FIXTURE
	FLAGPOLE WITH POLE TOP MOUNTED FLAGPOLE LIGHT FIXTURE

SITE PLAN KEY NOTES

	REFER TO SITE PLAN DETAILS FOR CONCRETE PAD AND UNDERGROUND TRENCHING REQUIREMENTS. ESU1.01
	BACKBOARD FOR TELECOMMUNICATION ENTRANCE
	EXISTING POLE LIGHTS TO REMAIN
	CHARGEPOINT CT4000 SERIES BOLLARD MOUNTED CHARGING EQUIPMENT. FURNISH AND INSTALL A COMPLETE EV CHARGING SYSTEM IN CONFORMANCE WITH SECTION 262683 THAT CONSISTS OF TWO INDEPENDENT CHARGERS WITH NETWORK, PAYMENT AND CHARGING NETWORK.
	(2) 3/4" CONDUITS WITH 3#8 #10G FOR CHARGING STATION POWER
	(1) 3/4" CONDUIT WITH CAT 6 FOR CHARGING STATION COMMUNICATION
	SERVICE ENTRANCE SWITCHBOARD LOCATION. REFER TO ONE-LINE DIAGRAM FOR ADDITIONAL INFORMATION.
	GENERATOR INTERCONNECT CABINET. REFER TO ONE-LINE DIAGRAM FOR ADDITIONAL INFORMATION.

1 SITE PLAN
1/16" = 1'-0"

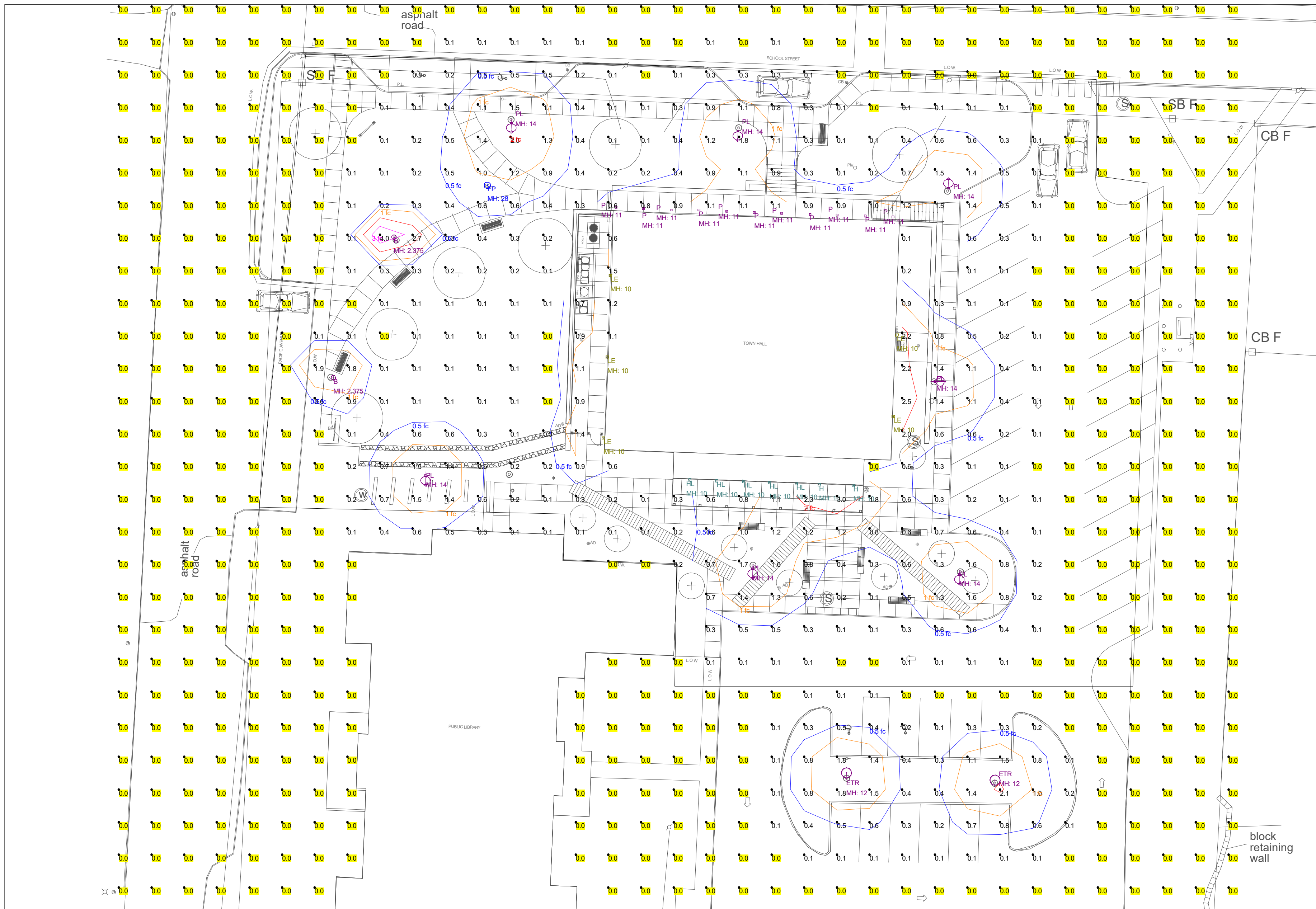
7/6/2021 2:28:49 PM

Oak Bluffs Town Hall
Site Lighting Calculation
Oak Bluffs, MA

"DISCLAIMER"
CALCULATIONS SHOULD
BE USED AS A DESIGN GUIDE ONLY.
LIGHT LEVELS ARE SUBJECT TO
CONDITIONS IN THE FIELD.

REVISIONS

Date/Note:



[July 12, 2021 update]

Qty	Symbol	Label	Tag	Description	Lum. Watts	Lum. Lumens	LLF
2	⊙	B	Ligman	UCO-10117-41W-1-W30-xx-120/277V-DIM	38.9	983	0.900
2	⊖	ETR	Existing to Remain		53.3	6571	0.200
1	⊕	FP	Misc	SFPTP5G	0	1300	0.900
2	⊙	H	Lumiere	303-W1-LEDB2-3000-UNV-T4-DIM10-xx	15.5	977	0.900
5	⊙	HL	Lumiere	303-W1-LEDB2-3000-UNV-T4-DIM10-xx	15.5	977	0.100
5	⊙	LE	Lumiere	303-W1-LEDB2-3000-UNV-T2-DIM10-xx	15.5	1069	0.900
11	⊙	P	Alphabet	NU4-QD-XTM19-13LM-30K-83-D65-120-DIM10-NC-WH-WH	14.9	1303	0.100
7	⊙	PL	Ligman	UHAM-20001-2270lumens-EW-W30-02-120/277v-DIM	53.3	9125	0.150

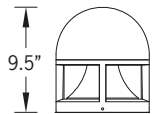
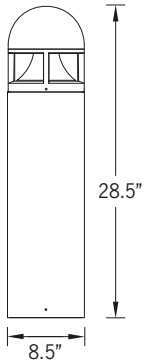
Calculation Summary						
Label	Units	Avg	Max	Min	Avg/Min	Max/Min
Site Planar	Fc	0.19	4.0	0.0	N.A.	N.A.
Sidewalks & Parking Areas	Fc	0.44	4.0	0.0	N.A.	N.A.

UCO-10117

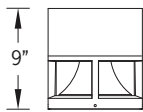
Columbus 1 Bollard



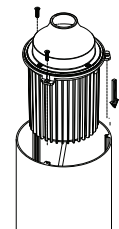
41w COB 995 Lumens
 IP65 • Suitable For Wet Locations
 IK08 • Impact Resistant (Vandal Resistant)
 Weight 18.5 lbs



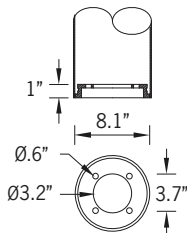
Dome Top



Flat Top



IP65 - Internal top access driver housing, prewired with SO cord and waterproof cable gland for easy installation.



Mounting Detail

Construction

Aluminum

Less than 0.1% copper content - Marine Grade 6060 extruded & LM6 Aluminum High Pressure die casting provides excellent mechanical strength, clean detailed product lines and excellent heat dissipation.

Pre paint

8 step degrease and phosphate process that includes deoxidizing and etching as well as a zinc and nickel phosphate process before product painting.

Memory Retentive - Silicon Gasket

Provided with special injection molded "fit for purpose" long life high temperature memory retentive silicon gaskets. Maintains the gaskets exact profile and seal over years of use and compression.

Thermal management

LM6 Aluminum is used for its excellent mechanical strength and thermal dissipation properties in low and high ambient temperatures. The superior thermal heat sink design by Ligman used in conjunction with the driver, controls thermals below critical temperature range to ensure maximum luminous flux output, as well as providing long LED service life and ensuring less than 10% lumen depreciation at 50,000 hours.

Surge Suppression

Standard 10kv surge suppressor provided with all fixtures.

BUG Rating

B1 - U3 - G1

Finishing

All Ligman products go through an extensive finishing process that includes fettling to improve paint adherence.

Paint

UV Stabilized 4.9mil thick powder coat paint and baked at 200 Deg C. This process ensures that Ligman products can withstand harsh environments. Rated for use in natatoriums.

Inspired by Nature Finishes

The Inspired by nature Finishing is a unique system of decorative powder coating. Our metal decoration process can easily transform the appearance of metal or aluminum product into a wood grain finish.

This patented technology enables the simulation of wood grain, and even marble or granite finish through the use of decorative powder coating.

The wood grain finish is so realistic that it's almost undistinguishable from real wood, even from a close visual inspection. The system of coating permeates the entire thickness of the coat and as a result, the coating cannot be removed by normal rubbing, chipping, or scratching.

The Coating Process

After pre-treatment the prepared parts are powder coated with a specially formulated polyurethane powder. This powder provides protection against wear, abrasion, impact and corrosion and acts as the relief base color for the finalized metal decoration.

The component is then wrapped with a sheet of non-porous film with the selected decoration pattern printed on it using special high temperature inks.

This printed film transfer is vacuum-sealed to the surface for a complete thermo print and then transferred into a customized oven. The oven transforms the ink into different forms within the paint layer before it becomes solid. Finally, the film is removed, and a vivid timber look on aluminum remains.

Wood grain coating can create beautiful wood-looking products of any sort. There are over 300 combinations of designs currently in use. Wood grains can be made with different colors, designs, etc.

Our powder coatings are certified for indoor and outdoor applications and are backed by a comprehensive warranty. These coatings rise to the highest conceivable standard of performance excellence and design innovation.

Added Benefits

- Resistance to salt-acid room, accelerated aging
- Boiling water, lime and condensed water resistant
- Anti-Graffiti, Anti-Slip, Anti-Microbial, Anti-Scratch
- Super durable (UV resistant)
- TGIC free (non-toxic)

Hardware

Provided Hardware is Marine grade 316 Stainless steel.

Anti Seize Screw Holes

Tapped holes are infused with a special anti seize compound designed to prevent seizure of threaded connections, due to electrolysis from heat, corrosive atmospheres and moisture.

Crystal Clear Low Iron Glass Lens

Provided with tempered, impact resistant crystal clear low iron glass ensuring no green glass tinge.

Optics & LED

Precise optic design provides exceptional light control and precise distribution of light. LED CRI > 80

Lumen - Maintenance Life

L80 /B10 at 50,000 hours (This means that at least 90% of the LED still achieve 80% of their original flux)

Cost-effective classic exterior bollard range. Elegant urban form with lateral light accent and optional top covers.

Columbus is an decorative bollard that is suitable for both modern and classic architecture. Ideal for creating visual guidance with exceptional visual comfort. This product was developed to complement the Columbus range of pillar lights, wall sconces and post tops. This sleek shape provides distinctive lighting effects by night and decorative urban effect during the day. Suitable for pedestrian precincts, building surrounds, shopping centers, squares and parks.

The Columbus Bollard comes standard with a unique waterproof internal driver housing compartment that is situated at the top of the pole to stop water and dust from entering the electrical components. This fixture is supplied completely wired with powercord and waterproof gland from the driver enclosure to the base of the bollard ensuring quick trouble-free installation. Custom bollard heights are available, please specify.

Color temperature 2700K, 3000K, 3500K and 4000K. Custom wattages can be provided to suit customer and Title 24 requirements. (Specify total watts per fixture)

Additional Options (Consult Factory For Pricing)



A91591
 Lockable In Use GFCI
 Receptacle Outlet Box

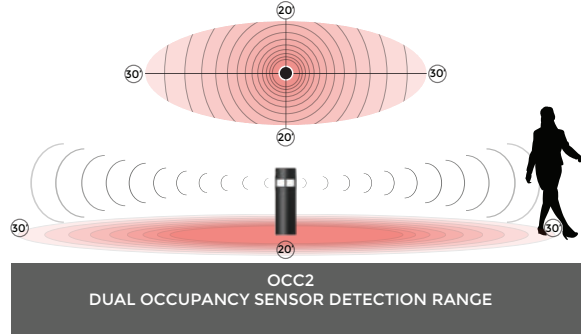
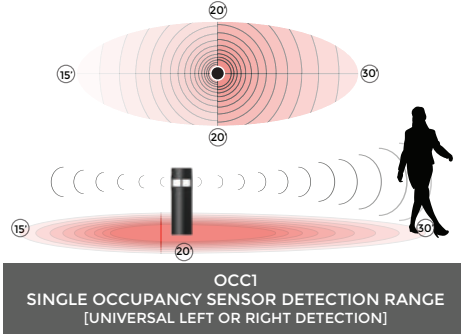


PROJECT		DATE	
----------------	--	-------------	--

QUANTITY		TYPE		NOTE	
-----------------	--	-------------	--	-------------	--

ORDERING EXAMPLE || UCO - 10117 - 41w - W30 - 02 - 120/277v - Options

OCCUPANCY SENSOR OPTIONS



* The integrated, smart occupancy sensor can be programmed on site to function in a variety of ways.

Example: Simple on-off mode || DIM -> full light output on detection -> DIM | Off -> full bright on detection -> DIM for a set time with no detection -> off | DIM -> full bright on detection -> DIM

UCO-10117					
LAMP	TOP	LED COLOR	FINISH COLOR	VOLTAGE	

41w COB
995 Lumens

- 1 - Dome Top**
- 2 - Flat Top**

- W27 - 2700K
- W30 - 3000K**
- W35 - 3500K
- W40 - 4000K

- 01 - BLACK RAL 9011
- 02 - DARK GREY RAL 7043
- 03 - WHITE RAL 9003
- 04 - METALLIC SILVER RAL 9006
- 05 - MATTE SILVER RAL 9006
- 06 - LIGMAN BRONZE
- 07 - CUSTOM RAL

120/277v
Other - Specify

ADDITIONAL OPTIONS

- UL - Unlit Bollard
- GFCI - GFCI Box
- NAT - Natatorium Rated
- DIM - 0-10v Dimming**
- HGT - Custom Bollard Height [Specify HGT=XX"]
- OCC1 - Single Occupancy Sensor
- OCC2 - Dual Occupancy Sensor
- A91591 - Lockable In Use GFCI Receptacle Outlet Box

INSPIRED BY NATURE FINISHES

- SW01 - OAK FINISH
- SW02 - WALNUT FINISH
- SW03 - PINE FINISH
- DF - DOUGLAS FIR FINISH
- CW - CHERRY WOOD FINISH
- NW - NATIONAL WALNUT FINISH
- SU01 - CONCRETE FINISH
- SU02 - SOFTSCAPE FINISH
- SU03 - STONE FINISH
- SU04 - CORTEN FINISH

THERE IS AN ADDITIONAL COST FOR THESE FINISHES

More Custom Finishes Available Upon Request

Consult factory for pricing and lead times

Oak	Walnut	Pine	Cherry	Chestnut	Mahogany	Beech	Bamboo	Birch	Carbon	Galvanized	Steel



Bollard occupancy sensor settings

Please specify factory setting requirements

DIP Switch Settings (HC403VRC-KD)

1 Detection Range

Sensor sensitivity can be adjusted by selecting the combination on the DIP switches to fit precisely for each specific application.

	1	2	
<input type="checkbox"/> I	●	●	100%
<input type="checkbox"/> II	●	○	75%
<input type="checkbox"/> III	○	●	50%
<input type="checkbox"/> IV	○	○	10%

I – 100%
 II – 75%
 III – 50%
 IV – 10%

2 Hold-time

Select the dip switch configuration for the full brightness on-time after presence detection.

Please note that this function is disabled when the natural daylight exceeds the daylight threshold setting for more than 5 minutes.

	1	2	3	
<input type="checkbox"/> I	●	●	●	5s
<input type="checkbox"/> II	●	●	○	30s
<input type="checkbox"/> III	●	○	●	1min
<input type="checkbox"/> IV	●	○	○	5min
<input type="checkbox"/> V	○	●	●	10min
<input type="checkbox"/> VI	○	●	○	20min
<input type="checkbox"/> VII	○	○	○	30min

I – 5s
 II – 30s
 III – 1min
 IV – 5min
 V – 10min
 VI – 20min
 VII – 30min

3 Daylight Threshold

Set the level according to the fixture and environment. The light will not turn on if ambient lux level exceeds the daylight threshold preset.

Please note that the ambient lux level refers to internal light reaching the sensor.

Disabling the daylight sensor will put the sensor into occupancy detection only mode.

	1	2	
<input type="checkbox"/> I	●	●	Disable
<input type="checkbox"/> II	●	○	5.0fc
<input type="checkbox"/> III	○	●	1.0fc
<input type="checkbox"/> IV	○	○	0.2fc

I – Disable
 II – 5.0fc
 III – 1.0fc
 IV – 0.2fc

4 Stand-by period (corridor function)

This is the time period you would like to keep at the low light output level before it is completely switched off in the long absence of people.

Note: "0s" means on/off control;

"+ ∞" means the stand-by time is infinite and the fixture never switches off.

	1	2	3	
<input type="checkbox"/> I	●	●	●	0s
<input type="checkbox"/> II	●	●	○	10s
<input type="checkbox"/> III	●	○	●	1min
<input type="checkbox"/> IV	●	○	○	5min
<input type="checkbox"/> V	○	●	●	10min
<input type="checkbox"/> VI	○	●	○	30min
<input type="checkbox"/> VII	○	○	●	1H
<input type="checkbox"/> VIII	○	○	○	+∞

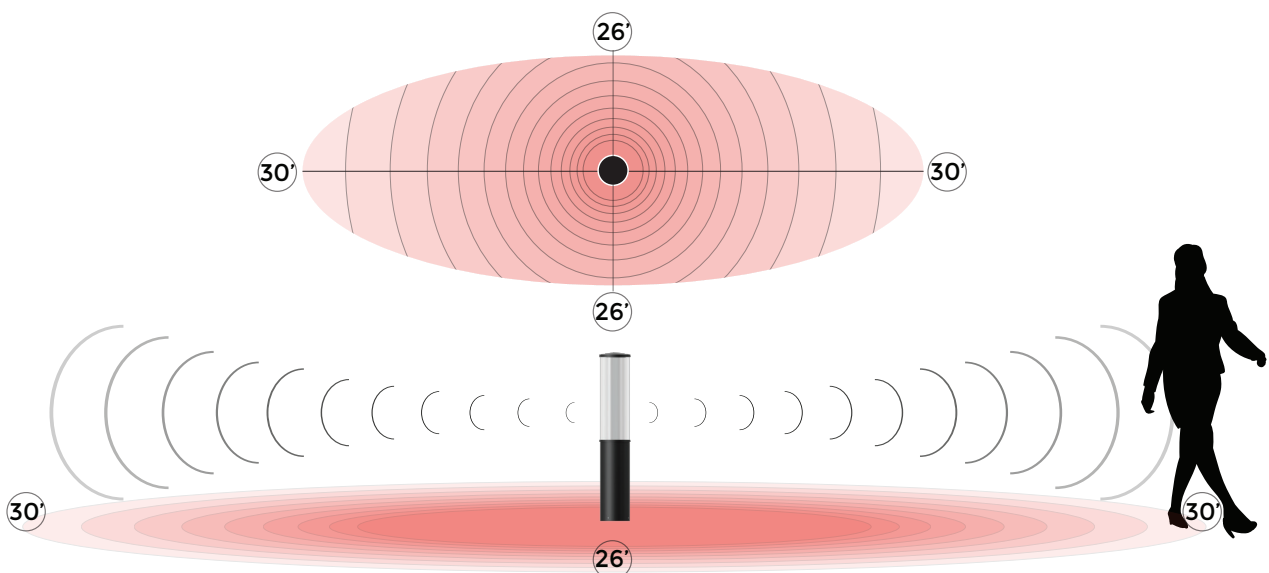
I – 0s
 II – 10s
 III – 1min
 IV – 5min
 V – 10min
 VI – 30min
 VII – 1H
 VIII – +∞

5 Stand-by dimming level

The setting is used to select the desired dimmed light level used in periods of absence for enhanced comfort and safety.

	1	2	
<input type="checkbox"/> I	●	●	10%
<input type="checkbox"/> II	●	○	20%
<input type="checkbox"/> III	○	●	30%
<input type="checkbox"/> IV	○	○	50%

I – 10%
 II – 20%
 III – 30%
 IV – 50%



Columbus Product Family



Columbus 1

• UCO-10117-41w-995lm [28"/28.4"]



Columbus 2

• UCO-10127-41w-995lm [40"/40.5"]



Columbus 3

• UCO-70098-41w-995lm [17.2"/17.8"]



Columbus 4

• UCO-20136-41w-2182lm



Columbus 5

• UCO-20196-41w-2182lm



Columbus 6

• UCO-30166-41w-2182lm



Columbus 7

• UCO-30196-41w-2182lm



Columbus 8

• UCO-95026-41w-2182lm

TYPE FP - FLAG ILLUMINATION FIXTURE MOUNTED AT TOP OF FLAGPOLE 28'-0" MOUNTING HEIGHT

Toggle navigation | Navigation

HOME PRODUCTS FAQ'S PRODUCT REVIEW CONTACT



Solar Flagpole Top Light - 7th Generation

Product Code: SFFTP5G

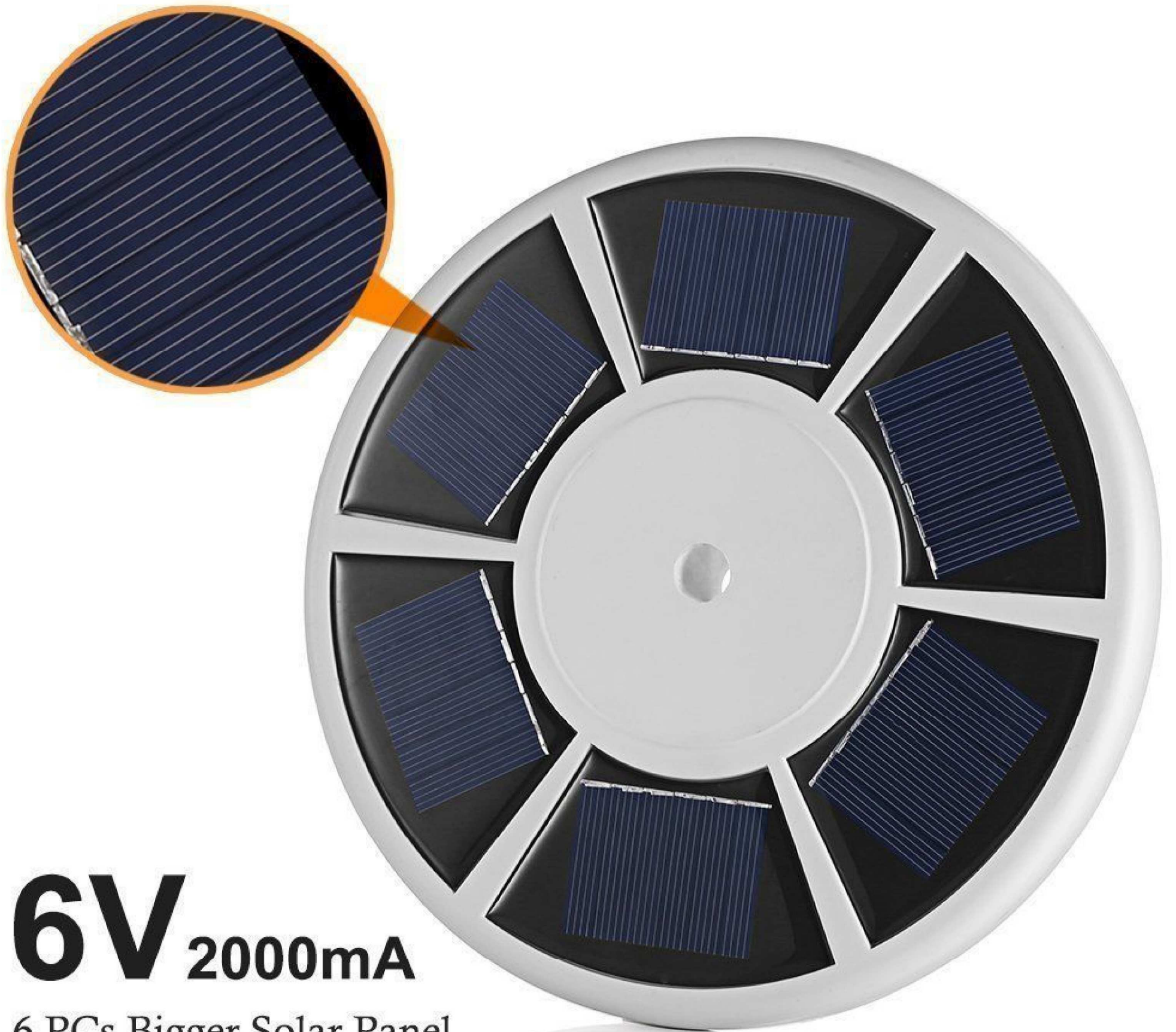
This solar flagpole top light is designed to mount on the top of your pole (up to 45ft.) and illuminate downward. Solar light includes 3 x 1500 mAh batteries and powerful 6v (6 cell) solar panel to fully charge in sunny weather. Accepts the industry standard 1/2" shank by 1.5" depth.

NOTE: For the MOST POWERFUL Flagpole Top Light on the market see our Double Row Solar Top Light.

Cost: ~~\$63.00~~ - **Sale Price : \$49.00**

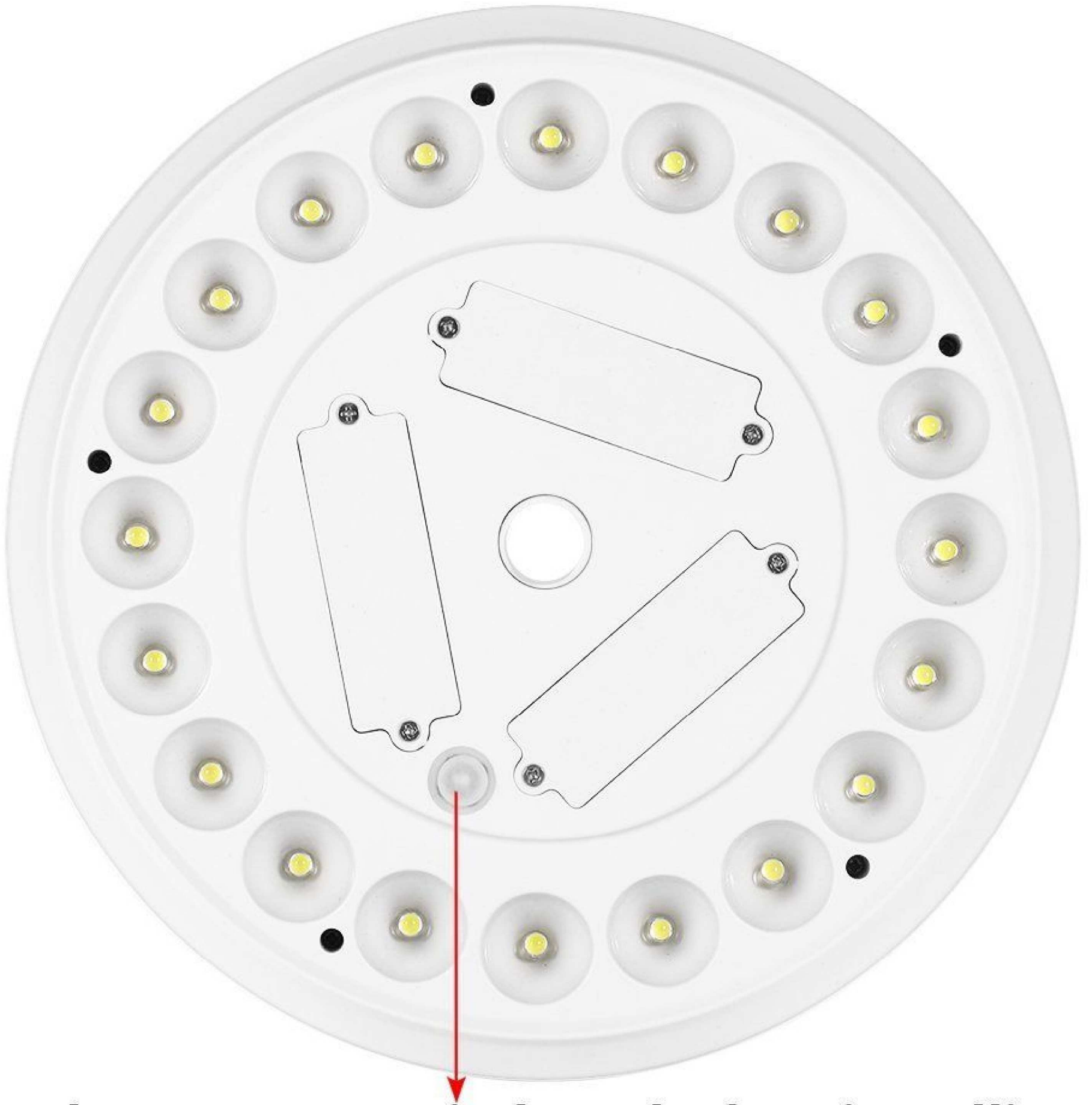
Quantity :

ADD TO CART



6V 2000mA

6 PCs Bigger Solar Panel
Collect and Convert Solar to Electricity
Auto ON at dark / Auto OFF at sunrise



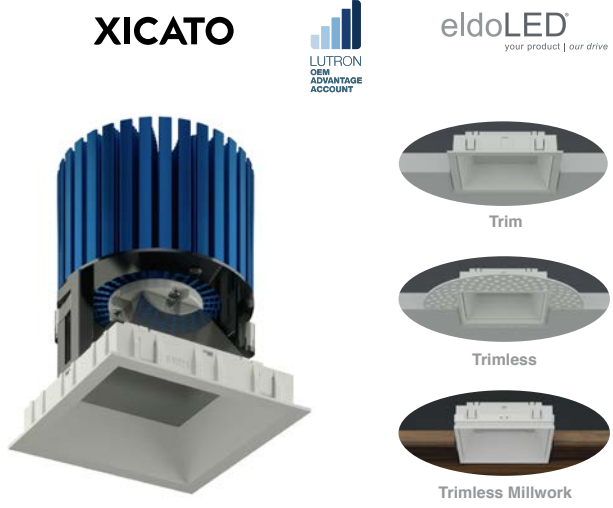
Please press switch on before installing

JOB NAME OAK BLUFFS TOWN HALL - TYPE P

CONTACT

ORDERING CODE NU4-QD-13LM-30K-83-D65-120-DIM10-NC-WH-WH

NU4" Square Downlight Xicato



DESCRIPTION

The NU4QD 4" recessed downlight by ALPHABET offers multiple cutting edge LED technologies, premium performance, thoughtful construction and pleasing aesthetics. Offered standard with premium dimming using EldoLED 1% flicker free drivers 120V-277V universal voltage. Also offered 347V. Several beam angles available, plus an optional high-efficiency BrightView diffused lens for smooth light distribution and obscured LED image.

For the trim version, a minimalistic look is achieved with an ultrathin 1/16" trim that is only 5/16" wide. Color choices of both trim and bezel are offered for a customized look. For the trimless version, a perforated, mud up, regressed trim assembly provides for clean, trim free installation. Perforated mud frame's integrated lip helps guide the joint compound creating a sharp and clean opening.

HOUSING

Electrocoated 16-gauge cold-rolled steel provides enhanced structural reinforcement and rust prevention. Superior, UL-certified, injection-molded commercial-grade Lexan™ (PC) is used for the frame and regressed bezel trim. Lexan provides unmatched durability and impact resistance, and is tested for UV resistance and water exposure in outdoor applications. The thermally-advanced, anodized heat sink uses 6063 aluminum alloy. Wet location rated is offered standard. A 90-minute constant-power IOTA emergency battery backup is available.

MOUNTING

An advanced mounting system allows for quick and secure installation with LED and driver serviceability from below the ceiling. The LED assembly uses die-cast aluminum mounting clamp grips (MCG) that swing out to tighten onto variable ceiling thicknesses. Integrated rubber feet on each MCG provide a non-slip vibration-resistant installation. The hidden MCG system is accessible from below ceiling by removing the snap-in lens/bezel assembly with either the included suction cup or a screwdriver blade. Integrated bar hangers feature integral toothed nails, T-bar mounting slots with locking holes, tabs for joist positioning. Retrofit mounting option allows for installation from below ceiling by use of compact driver box. No risk damaging LED or bezel assembly during installation, these are installed during last steps. Fixture and driver are easily removed for servicing after install without damaging drywall.

MOUNTING DIMENSIONS	CEILING THICKNESS	CEILING CUTOOUT	New Construction Bar Hangers (included)	Mounting Length: 14-3/4" to 26"
Trim	1/8" to 1-5/8"	4-1/4" square	Extension Kit p/n: K20266 (ordered separately, 1 per fixture)	Extends a pair of Bar Hangers Total Mounting Length: 29" to 48"
Trimless	3/8" to 1-3/4"	4-1/2" square		
Millwork (Trimless)	5/8" to 1-3/4"	4-1/4" square		

LISTINGS

- ETLus Listed to UL1598, cETL Listed to CSA C22.2 #250.0
- IP65 with lens - Suitable for wet locations with lens - Suitable for damp locations without lens
- Non-conductive, Lexan dead-front construction
- Made in the USA - meets the requirements of the Buy American provision within the ARRA

RATINGS / CERTIFICATIONS	NC	RET	IC	ICAT	CP
Type non-IC	✓	✓			
Type IC			✓	✓	✓
Chicago Plenum (CCEA)					✓
Suitable for air handling plenums				✓	✓
Reduced airflow (with lens) ASTM E283	✓	✓	✓	✓	✓

LED INFO

- SDCM = 1X2 MacAdam Ellipse, Duv +/- 0.001, Lumen Maintenance: L₉₀ > 55,000 hrs

XICATO XTM MODULE - ORDERING CODE

SERIES	NU4	
TYPE	QD QDT QDTMW	square downlight square downlight trimless square downlight trimless millwork
LED	XTM19	Xicato XTM 19mm
DELIVERED LUMENS	07LM 10LM 13LM 20LM 30LM 40LM	600 lm 860 lm 1120 lm 1720 lm 2570 lm 3430 lm
CCT	27K B27K² 30K V30K 35K 40K	2700K 2700K beauty 3000K 3000K vibrant 3500K 4000K
CRI	83 98¹	83 CRI 98 CRI
REFLECTOR & LM MULTIPLIER	HE60 HE70 HE80 D65 S60 WH80	60° high efficiency diffused lens (0.97) 70° high efficiency diffused lens (0.94) 80° high efficiency diffused lens (0.98) 65° diffused with clear lens (0.98) 60° specular with clear lens (1.00) 80° brilliant white with clear lens (0.99)
NO LENS OPTION	NL⁵	no lens
VOLTAGE	120 UNV 347¹¹	120V 120V-277V 347V
DIMMING	DIM10⁶ DIM10Z⁵ DALI⁶ DALIZ⁶ DMXZ LTE⁹ LUT⁹ LUTP¹⁰ ELV⁷	eldoLED flicker free 0-10V dimming to 1% eldoLED flicker free 0-10V dimming to 0% eldoLED flicker free DALI dimming to 1% eldoLED flicker free DALI dimming to 0% flicker free DMX dimming to 0% Lutron Hi-lume 2-Wire (Triac) dimming to 1% Lutron Hi-lume EcoSystem dimming to 1%, Soft-on & Fade-to-Black Lutron Hi-lume Premier EcoSystem dimming to 0.1%, Soft-on & Fade-to-Black leading & trailing edge dimming (Triac/ELV)
MOUNTING OPTIONS	NC IC³ ICAT³ CP³ RET	new construction with ceiling fitting plate insulation contact housing insulation contact/airtight housing chicago plenum housing retrofit, no ceiling fitting plate
TRIM COLOR	BK WH MC BZ WT	black white matte chrome bronze wheat <small>Not applicable to trimless option. Do not include in trimless ordering code.</small>
BEZEL COLOR	BK WH BZ MC WT	black white bronze matte chrome wheat
ELECTRICAL OPTIONS	EM7⁸ EM12^{4,8}	emergency battery backup, 90 minutes at 7 watts to LED emergency battery backup, 90 minutes at 12 watts to LED

ORDERING CODE

Follow the steps to specify your fixture, example:
NU4 - QD - XTM19 - 13LM - 35K - 98 - HE60 - 120 - DIM10 - NC - WH - WH - EM7

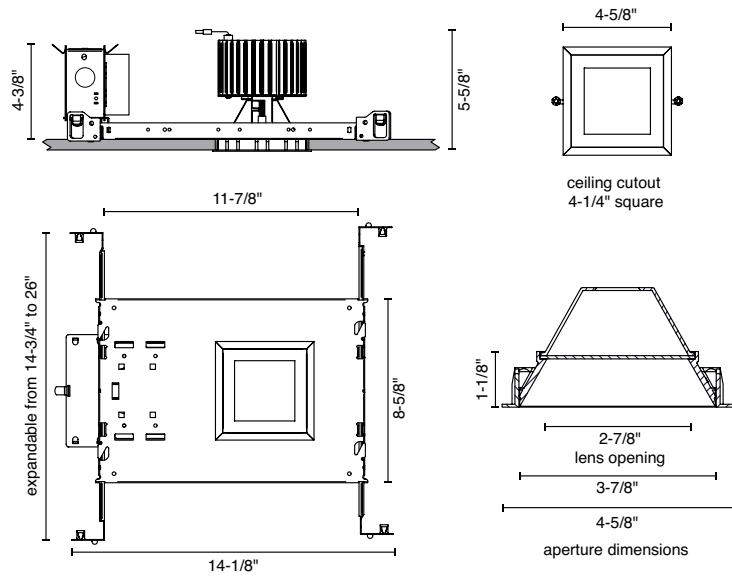
XTM19 (LED)	POWER	
	DELIVERED LM	W (83 CRI)
600	10	11
860	12	15
1120	17	21
1720	26	33
2570	37	43
3430	49	N/A

Power Factor ≥ 0.9

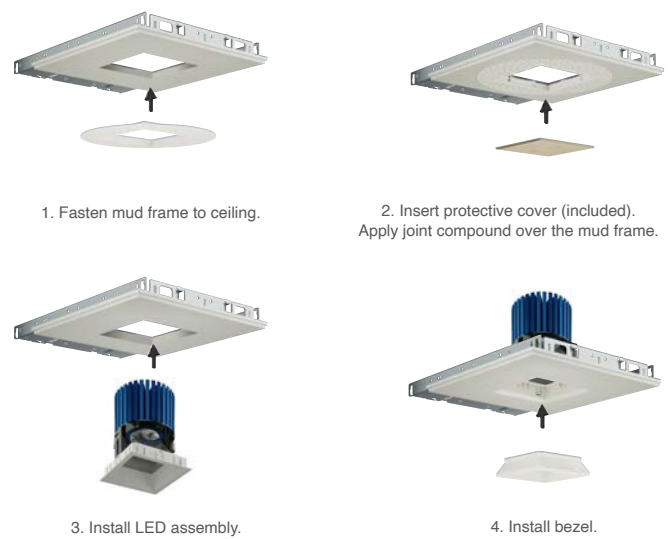
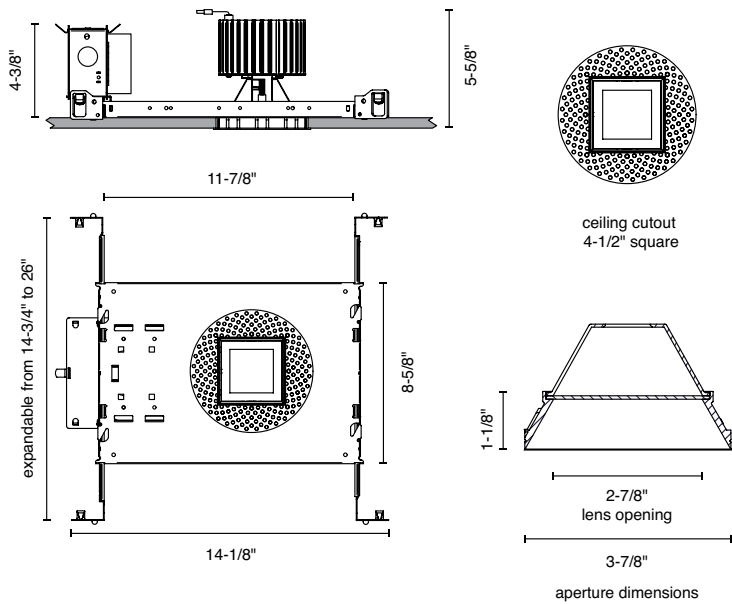
- NOTES**
- 98 CRI not available for 40LM.
 - B27K Beauty Series choose 98 CRI (actual 93). Available for 07LM, 10LM, 13LM, and 20LM only.
 - IC/ICAT/CP not available for 98CRI in 30LM or 83/98CRI in 40LM.
 - EM12 not available for 83CRI in 07LM, 10LM or 13LM.
 - No lens option available for S60, D65, or WH80 and is damp location rated.
 - Driver uses logarithmic dimming curve as standard. For linear dimming curve add "LIN" after dimming code, i.e. DIM10LIN.
 - Triac/ELV dimming available for 83/98CRI in 10LM, 13LM, 20LM, & 83CRI only in 30LM. Dimmable to < 10% in 10LM, 13LM. Dimmable to < 1% in 20LM, 30LM.
 - For integrated test switch add "ITS" after emergency backup code, i.e. EM12ITS. Test switch is mounted in the bezel of the fixture.
 - LTE/LUT not available in 40LM.
 - LUTP not available in 20LM, 30LM, or 40LM.
 - 11.347V not available in 40LM. DIM10 offered in 347V using a dedicated 347V Osram 0-10V 1% Driver except for 30LM 98CRI. For 30LM 98CRI and all other dimming options 347V is offered using a miniature Step-Down Transformer integrated with the Electrical Box. Triac and ELV dimming are not available.

MOUNTING OPTIONS

**NC - NEW CONSTRUCTION
TRIM**

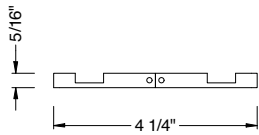
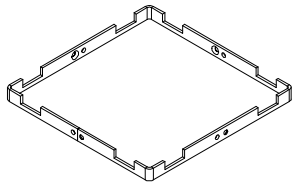


**NC - NEW CONSTRUCTION
TRIMLESS**



MOUNTING OPTIONS (CONTINUED)

**QDTMW – MILLWORK
TRIMLESS**



Millwork Mounting Bracket

NOTES

- 1 Ceiling cutout 4-1/4" x 4-1/4".
- 2 Millwork Mounting Bracket & Mounting Screws are included with each Luminaire.
- 3 One Plastic Spacer and two C-Clamps are included with each order.
- 4 Refer to Installation Instructions for further details.



1. Insert Millwork Mounting Bracket using the included Plastic Spacer for proper depth positioning.



2. Use the included C-Clamps to temporarily hold the Plastic Spacer in position. Fasten the included wood screws into the Mounting Bracket using a right-angle impact driver (supplied by others).



3. Remove Plastic Spacer.



4. Install Luminaire.

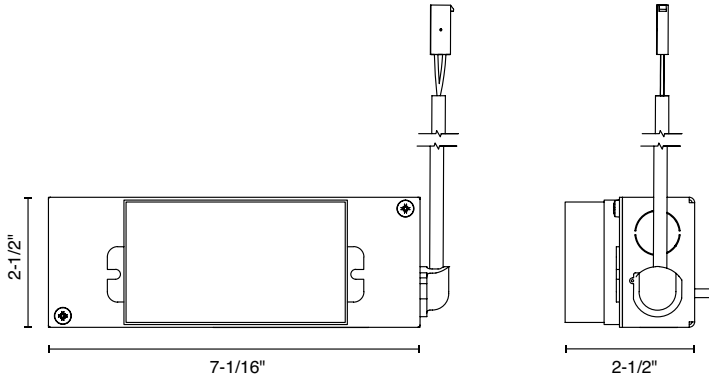


5. Insert Bezel to finish the installation.

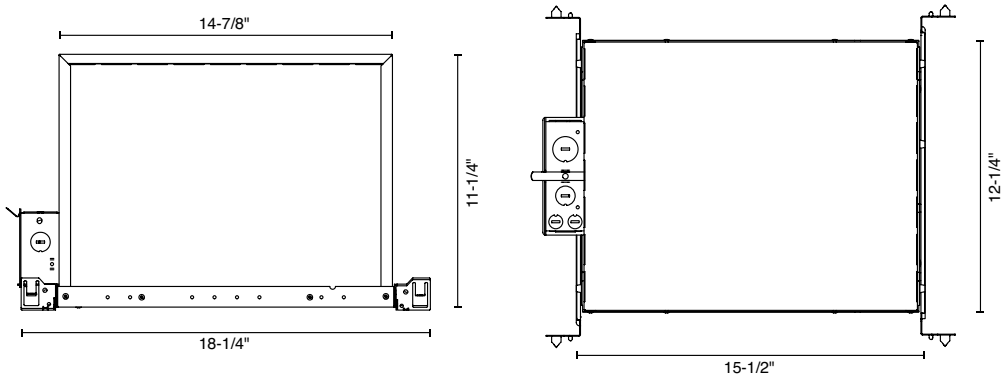


MOUNTING OPTIONS (CONTINUED)

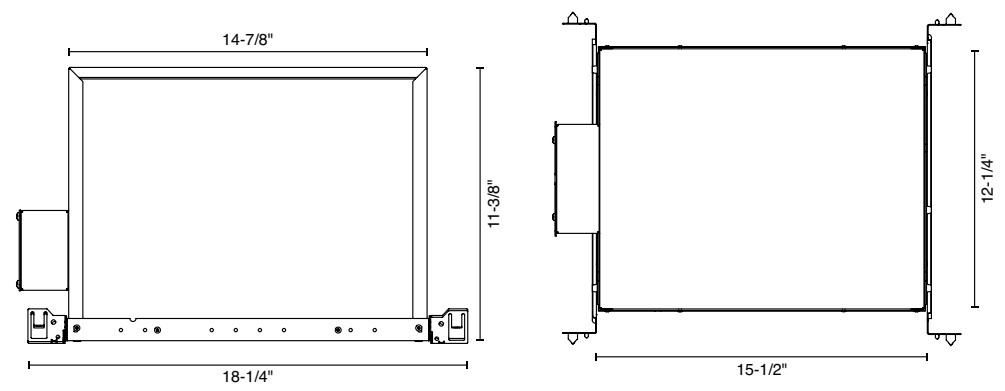
**RET - RETROFIT
TRIM/TRIMLESS**



**IC¹ - INSULATION CONTACT HOUSING
TRIM/TRIMLESS**



**CP - CHICAGO PLENUM
ICAT - INSULATION CONTACT / AIR TIGHT
TRIM/TRIMLESS**



NOTES
1 Consult factory for smaller IC Housings when selecting lower lumen packages.



ENERGY STAR - ORDERING CODE

SERIES	NU4	
TYPE	QD square downlight QDT square downlight trimless QDTMW square downlight trimless millwork	
LED	XTM19 Xicato XTM 19mm	
DELIVERED LUMENS	10LM 860 lm 13LM 1120 lm	
CCT	27K 2700K 30K 3000K 35K 3500K 40K 4000K	
CRI	83 83 CRI 90 90 CRI	
REFLECTOR & LM MULTIPLIER	HE60 60° high efficiency diffused lens (0.97) HE80 80° high efficiency diffused lens (0.98) S60 60° specular with clear lens (1.00) WH80 80° brilliant white with clear lens (0.99)	
VOLTAGE	120 120V 277 277V	
DIMMING	DIM10 eldoLED flicker free 0-10V dimming to 1%	
MOUNTING OPTIONS	NC new construction with ceiling fitting plate IC insulation contact housing RET retrofit, no ceiling fitting plate ICAT insulation contact/airtight housing	
TRIM COLOR	WH white Not applicable to trimless option. Do not include in trimless ordering code.	
BEZEL COLOR	WH white	
ELECTRICAL OPTIONS	ES energy star	

ORDERING CODE

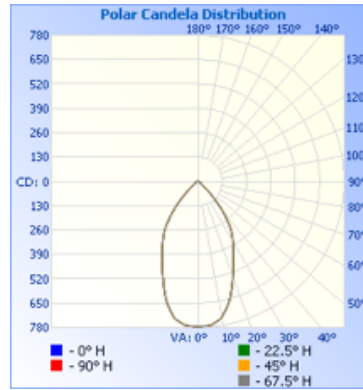
Follow the steps to specify your fixture, example:
NU4 - QD - XTM19 - 13LM - 27K - 90 - S60 - 120 - DIM10 - IC - WH - WH - ES

Zonal Lumen Summary

Zone	Lumens	%Lamp	%Fixt
0-20	252.91	N.A.	32.80
0-30	459.52	N.A.	59.50
0-40	642.52	N.A.	83.20
0-60	744.53	N.A.	96.40
0-80	766.28	N.A.	99.20
0-90	768.79	N.A.	99.60
10-90	696.44	N.A.	90.20
20-40	389.61	N.A.	50.50
20-50	471.81	N.A.	61.10
40-70	115.41	N.A.	14.90
60-80	21.75	N.A.	2.80
70-80	8.36	N.A.	1.10
80-90	2.50	N.A.	0.30
90-110	2.02	N.A.	0.30
90-120	2.63	N.A.	0.30
90-130	2.97	N.A.	0.40
90-150	3.23	N.A.	0.40
90-180	3.37	N.A.	0.40
110-180	1.35	N.A.	0.20
0-180	772.16	N.A.	100.00

Zonal Lumen Summary

Zone	Lumens
0-10	72.35
10-20	180.56
20-30	206.61
30-40	183.00
40-50	82.20
50-60	19.81
60-70	13.39
70-80	8.36
80-90	2.50
90-100	1.15
100-110	0.88
110-120	0.60
120-130	0.35
130-140	0.15
140-150	0.11
150-160	0.08
160-170	0.05
170-180	0.02



Illuminance at a Distance

Center Beam fc	Beam Width
1.7ft	268 fc 1.9 ft
3.3ft	71.0 fc 3.7 ft
5.0ft	30.9 fc 5.6 ft
6.7ft	17.2 fc 7.5 ft
8.3ft	11.2 fc 9.2 ft
10.0ft	7.74 fc 11.1 ft

■ Beam Spread: 58.2°

Project		Catalog #		Type	
Prepared by		Notes		Date	



Lumière

EON 303-W1-LEDB2

Ceiling / Wall Mount
Direct / Indirect

Typical Applications

- Hospitality • Commerical Landscape • Outdoor Area/Site • Residential
- Architectural

Interactive Menu

- Order Information page 2
- Product Specifications page 2
- Lumen Maintenance page 3
- Product Warranty

Product Certification



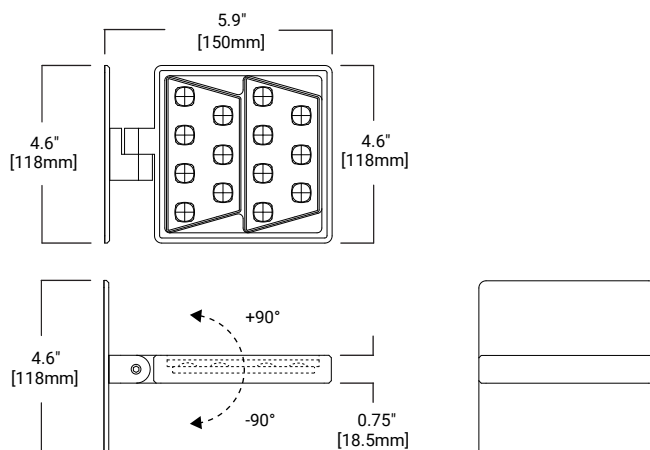
Product Features



Top Product Features

- Adjustable direct or indirect luminaire - 180° Adjustable at knuckle
- 2700K, 3000K or 3500K or 4000K Color Temperature and Amber (585-595nm)
- Forward/Lateral Throw or Flood Optics with diffuse glass sealed lens
- Patented AccuLED Optics™ System
- Universal Input LED Driver Included (120 - 277V, 50/60 Hz)
- ELV or 0-10 Dimming

Dimensions



TECHNICAL DATA
50°C Maximum Temperature Rating
External Supply Wiring 90°C Minimum

Order Information

SAMPLE ORDER NUMBER: 303-W1-LEDB2-2700-UNV-T2-DIM10-BK-EDGE-LCF

Series	Color Temperature	Input Voltage	Optics	Dimming	Finish	Options
303-W1-LEDB2 Head contains two (2) Mini LightBAR™	2700K-2700K 3000K-3000K 3500K-3500K 4000K-4000K TSAM=Turtle Safe Amber (585-595nm)	UNV=Universal 120-277, 50/60Hz	T2=Type II, Lateral Throw T4=Type IV, Forward Throw T5X=Type V, Extra Wide Flood	DIMELV=Trailing Edge Phase DIM10=0-10V Dimming	Painted BK=Black BZ=Bronze CS=City Silver WT=White Premium Paint BA=Brushed NSS=Solid Stainless Steel	EDGE=Edge lit glass lens LCF=LightBAR cover plate matches housing finish
Notes	Notes	Notes	Notes	Notes	Notes (1) Custom and RAL color matching available upon request. Consult factory for further information.	Notes (2) Add suffix in the order shown. (3) LCF option not available when WT (white) finish is selected.

Product Specifications

Construction

- Head and back plate are precision machined from corrosion-resistant 6061-T6 aluminum
- A universal mounting plate and one piece silicone key hole gasket is provided for adaption to junction box or surface
- Stainless steel hardware is included

Mounting

- The luminaire mounts directly to a standard 4" square junction box
- For further mounting information see technical notes section on page 3

Optical

- LightBAR™ and optical assembly are sealed by a diffused, impact resistant tempered glass lens
- The optical assembly is available in three distributions: T2 (lateral throw), T4 (forward throw) and T5X (Extra Wide Flood)
- Available in several color temperatures: 2700K, 3000K, 3500K, 4000K and TSAM (Amber)
- Both color temperature and distribution must be specified when ordering – see catalog logic for details
- An edge-lit option is available

Electrical

- The 15.5W 303-W1-LEDB2 is standard with an ELV trailing edge phase dimmable driver that accepts a universal input (120-277, 50/60Hz)
- It will operate in -40°C to 50°C [-40°F to 122°F]
- The driver incorporates surge protection
- An optional 0-10V dimming driver is also available.

Finish

- The luminaires are double protected by a RoHS compliant chemical film undercoating and polyester powder coat paint finish, surpassing the rigorous demands of the outdoor environment
- A variety of standard colors are available
- RAL and custom color matches available upon request
- Luminaires can also be brushed with a clear coat finish
- The LightBAR™ cover plates are standard white and may be specified to match finish of luminaire housing (LCF)

Approvals

- UL and cUL listed, standard wet label
- Tested according to IESNA LM-79 and LM-80 procedures

- ROHS Compliant
- IP66 Ingressed Protection rated

Warranty

- Lumiere warrants the EON series of fixtures against defects in material and workmanship for five (5) years. Auxiliary equipment such as LED drivers carries the original manufacturer's warranty

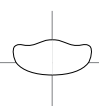
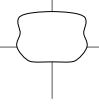
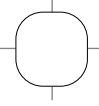
Lumen Maintenance

Ambient Temperature	TM-21 Lumen Maintenance (72,000 Hours)	TM-21 Reported L70(10k) (Hours)	Theoretical L70 (Hours)
25°C	> 94%	> 60,000	365,000
40°C			
50°C			

Current Draw

Model	Line Voltage	Current Draw
303-W1-LEDB2	120-277V, 50/60Hz	0.13A

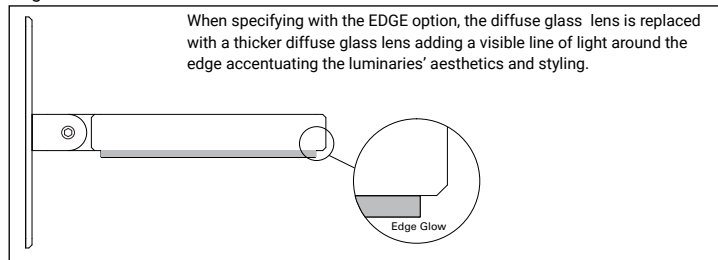
Lumens - CRI/CCT Table

Optic Type	Distribution	Watts	Delivered Lumens	LPW	CCT (K) / Color	CRI nom. / Wavelength
T2 (Lateral Throw)		15.5	1052	68	2700	90
			1082	70	3000	80
			1177	76	3500	80
		12.1	1151	74	4000	80
			351	29	TSAM	585-595nm
T4 (Forward Throw)		15.5	961	62	2700	90
			989	64	3000	80
			1075	69	3500	80
		12.1	1052	68	4000	80
			329	27	TSAM	585-595nm
T5X (Extra Wide Flood)		15.5	1174	76	2700	90
			1208	78	3000	80
			1313	85	3500	80
		12.1	1285	83	4000	80
			396	33	TSAM	585-595nm

NOTES: 1 When the LCF option is selected use a lumen multiplier of .85

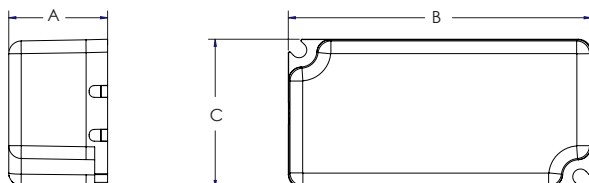
Options

Edge



Technical Notes

- Junction box size and depth is important when specifying product. Recommended junction boxes include 2-1/8" deep, 4" square weld/drawn Crouse Hinds part numbers TP403, TP434, TP494, TP196, TP395 or equivalent. Use with included universal mounting plate or with Crouse-Hinds part number TP480 or equivalent cover with similar fixture mounting locations.
- The universal wall plate provided with all EON wall mount fixtures can be used with an outdoor rated two gang 30.5 cubic inch capacity outlet box. Cooper Crouse-Hinds part numbers TP7086 – TP7122 or equivalent. The universal mounting plate will attach with four (4) 6-32 pan head/flat stainless steel screws (not provided).
- Driver can be remote mounted in a junction box a max distance of 25 feet (voltage drop needs to be considered) or placed in the junction box behind the luminaire.
- When specifying with the EDGE option, the diffused glass becomes thicker adding a visible line of light around the edge accentuating the luminaires' aesthetics and styling.
- If Luminaire will not be dimmed, the Luminaire must be ordered with DIMELV option, but does not have to be dimmed.
- Driver Dimensions:



Luminaire Type	Dimming Type	Driver Dimensions in [mm]		
		A	B	C
303-W1-LEDB2	DIMELV	.98 [25.0]	3.36 [85.3]	1.49 [37.9]
	DIM10	1.18 [30.0]	3.49 [88.6]	1.64 [41.6]

Project		Catalog #		Type	
Prepared by		Notes		Date	



Lumière

EON 303-W1-LEDB2

Ceiling / Wall Mount
Direct / Indirect

Typical Applications

- Hospitality • Commerical Landscape • Outdoor Area/Site • Residential
- Architectural

Interactive Menu

- Order Information page 2
- Product Specifications page 2
- Lumen Maintenance page 3
- Product Warranty

Product Certification



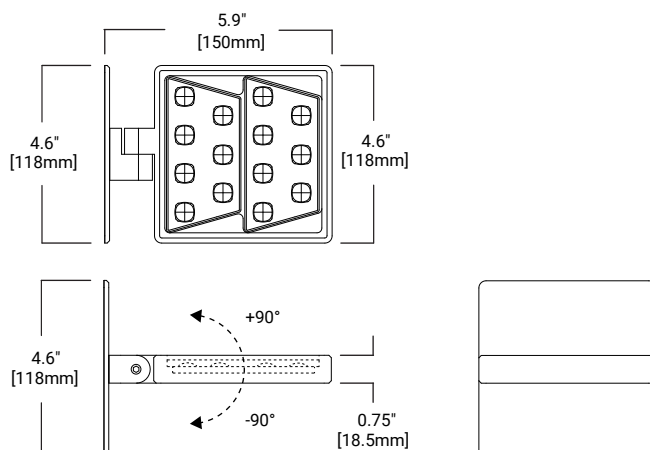
Product Features



Top Product Features

- Adjustable direct or indirect luminaire - 180° Adjustable at knuckle
- 2700K, 3000K or 3500K or 4000K Color Temperature and Amber (585-595nm)
- Forward/Lateral Throw or Flood Optics with diffuse glass sealed lens
- Patented AccuLED Optics™ System
- Universal Input LED Driver Included (120 - 277V, 50/60 Hz)
- ELV or 0-10 Dimming

Dimensions



TECHNICAL DATA
50°C Maximum Temperature Rating
External Supply Wiring 90°C Minimum

Order Information

SAMPLE ORDER NUMBER: 303-W1-LEDB2-2700-UNV-T2-DIM10-BK-EDGE-LCF

Series	Color Temperature	Input Voltage	Optics	Dimming	Finish	Options
303-W1-LEDB2 Head contains two (2) Mini LightBAR™	2700K-2700K 3000K-3000K 3500K-3500K 4000K-4000K TSAM=Turtle Safe Amber (585-595nm)	UNV=Universal 120-277, 50/60Hz	T2=Type II, Lateral Throw T4=Type IV, Forward Throw T5X=Type V, Extra Wide Flood	DIMELV=Trailing Edge Phase DIM10=0-10V Dimming	Painted BK=Black BZ=Bronze CS=City Silver WT=White Premium Paint BA=Brushed NSS=Solid Stainless Steel	EDGE=Edge lit glass lens LCF=LightBAR cover plate matches housing finish
Notes	Notes	Notes	Notes	Notes	Notes (1) Custom and RAL color matching available upon request. Consult factory for further information.	Notes (2) Add suffix in the order shown. (3) LCF option not available when WT (white) finish is selected.

Product Specifications

Construction

- Head and back plate are precision machined from corrosion-resistant 6061-T6 aluminum
- A universal mounting plate and one piece silicone key hole gasket is provided for adaption to junction box or surface
- Stainless steel hardware is included

Mounting

- The luminaire mounts directly to a standard 4" square junction box
- For further mounting information see technical notes section on page 3

Optical

- LightBAR™ and optical assembly are sealed by a diffused, impact resistant tempered glass lens
- The optical assembly is available in three distributions: T2 (lateral throw), T4 (forward throw) and T5X (Extra Wide Flood)
- Available in several color temperatures: 2700K, 3000K, 3500K, 4000K and TSAM (Amber)
- Both color temperature and distribution must be specified when ordering – see catalog logic for details
- An edge-lit option is available

Electrical

- The 15.5W 303-W1-LEDB2 is standard with an ELV trailing edge phase dimmable driver that accepts a universal input (120-277, 50/60Hz)
- It will operate in -40°C to 50°C [-40°F to 122°F]
- The driver incorporates surge protection
- An optional 0-10V dimming driver is also available.

Finish

- The luminaires are double protected by a RoHS compliant chemical film undercoating and polyester powder coat paint finish, surpassing the rigorous demands of the outdoor environment
- A variety of standard colors are available
- RAL and custom color matches available upon request
- Luminaires can also be brushed with a clear coat finish
- The LightBAR™ cover plates are standard white and may be specified to match finish of luminaire housing (LCF)

Approvals

- UL and cUL listed, standard wet label
- Tested according to IESNA LM-79 and LM-80 procedures

- ROHS Compliant
- IP66 Ingressed Protection rated

Warranty

- Lumiere warrants the EON series of fixtures against defects in material and workmanship for five (5) years. Auxiliary equipment such as LED drivers carries the original manufacturer's warranty

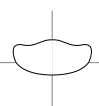
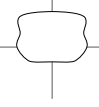
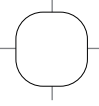
Lumen Maintenance

Ambient Temperature	TM-21 Lumen Maintenance (72,000 Hours)	TM-21 Reported L70(10k) (Hours)	Theoretical L70 (Hours)
25°C	> 94%	> 60,000	365,000
40°C			
50°C			

Current Draw

Model	Line Voltage	Current Draw
303-W1-LEDB2	120-277V, 50/60Hz	0.13A

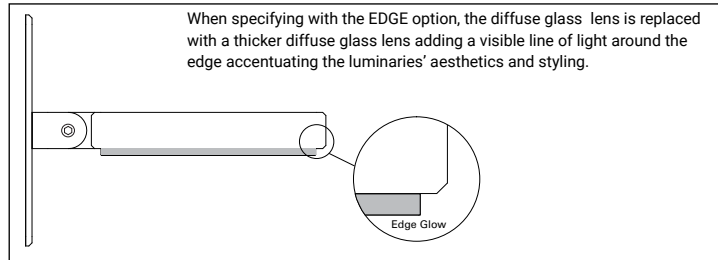
Lumens - CRI/CCT Table

Optic Type	Distribution	Watts	Delivered Lumens	LPW	CCT (K) / Color	CRI nom. / Wavelength
T2 (Lateral Throw)		15.5	1052	68	2700	90
			1082	70	3000	80
			1177	76	3500	80
		12.1	1151	74	4000	80
			351	29	TSAM	585-595nm
T4 (Forward Throw)		15.5	961	62	2700	90
			989	64	3000	80
			1075	69	3500	80
		12.1	1052	68	4000	80
			329	27	TSAM	585-595nm
T5X (Extra Wide Flood)		15.5	1174	76	2700	90
			1208	78	3000	80
			1313	85	3500	80
		12.1	1285	83	4000	80
			396	33	TSAM	585-595nm

NOTES: 1 When the LCF option is selected use a lumen multiplier of .85

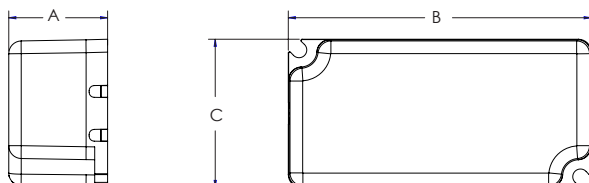
Options

Edge



Technical Notes

- Junction box size and depth is important when specifying product. Recommended junction boxes include 2-1/8" deep, 4" square weld/drawn Crouse Hinds part numbers TP403, TP434, TP494, TP196, TP395 or equivalent. Use with included universal mounting plate or with Crouse-Hinds part number TP480 or equivalent cover with similar fixture mounting locations.
- The universal wall plate provided with all EON wall mount fixtures can be used with an outdoor rated two gang 30.5 cubic inch capacity outlet box. Cooper Crouse-Hinds part numbers TP7086 – TP7122 or equivalent. The universal mounting plate will attach with four (4) 6-32 pan head/flat stainless steel screws (not provided).
- Driver can be remote mounted in a junction box a max distance of 25 feet (voltage drop needs to be considered) or placed in the junction box behind the luminaire.
- When specifying with the EDGE option, the diffused glass becomes thicker adding a visible line of light around the edge accentuating the luminaires' aesthetics and styling.
- If Luminaire will not be dimmed, the Luminaire must be ordered with DIMELV option, but does not have to be dimmed.
- Driver Dimensions:



Luminaire Type	Dimming Type	Driver Dimensions in [mm]		
		A	B	C
303-W1-LEDB2	DIMELV	.98 [25.0]	3.36 [85.3]	1.49 [37.9]
	DIM10	1.18 [30.0]	3.49 [88.6]	1.64 [41.6]

UHAM-20001

Hamilton 1 Post Top



53w LED
6273 Lumens

IP66
Suitable for wet locations

IK07
Impact Resistant [Vandal Resistant]

EPA - 1.78

Weight - 32.7 lbs



POLE NOT INCLUDED

Construction

Aluminum

Less than 0.1% copper content - Marine Grade 6060 extruded & LM6 Aluminum High Pressure die casting provides excellent mechanical strength, clean detailed product lines and excellent heat dissipation.

Pre paint

8 step degrease and phosphate process that includes deoxidizing and etching as well as a zinc and nickel phosphate process before product painting.

Memory Retentive -Silicon Gasket

Provided with special injection molded "fit for purpose" long life high temperature memory retentive silicon gaskets. Maintains the gaskets exact profile and seal over years of use and compression.

Thermal management

LM6 Aluminum is used for its excellent mechanical strength and thermal dissipation properties in low and high ambient temperatures. The superior thermal heat sink design by Ligman used in conjunction with the driver, controls thermals below critical temperature range to ensure maximum luminous flux output, as well as providing long LED service life and ensuring less than 10% lumen depreciation at 50,000 hours.

Surge Suppression

Standard, in series wired 10kv surge suppressor provided with all fixtures.

BUG Rating

B2 - U0 - G0

Finishing

All Ligman products go through an extensive finishing process that includes fettling to improve paint adherence.

Paint

UV Stabilized 4.9Mil thick powder coat paint and baked at 200 Deg C. This process ensures that Ligman products can withstand harsh environments. Rated for use in natoriums.

Hardware

Provided Hardware is Marine grade 316 Stainless steel.

Anti Seize Screw Holes

Tapped holes are infused with a special anti seize compound designed to prevent seizure of threaded connections, due to electrolysis from heat, corrosive atmospheres and moisture.

Crystal Clear Low Iron Glass Lens

Provided with tempered, impact resistant crystal clear low iron glass ensuring no green glass tinge. Lightly frosted lens optional

Optics & LED

Precise optic design provides exceptional light control and precise distribution of light. LED CRI > 80

Lumen - Maintenance Life

L80 /B10 at 50,000 hours (This means that at least 90% of the LED still achieve 80% of their original flux)

Classic urban neighbourhood post-top luminaire family. Timeless lines coupled with unparalleled build quality, flexibility and performance.

A post top luminaire available with single or twin heads, in a straight arm or shepherds crook style. Designed for lighting car parks, footpaths, pedestrian areas, precincts, parks, gardens and building perimeters.

Color temperature 2700K, 3000K, 3500K and 4000K, LED CRI >80.

This luminaire is provided prewired with power cord to the handhole to simplify installation. Marine grade 316 stainless steel fasteners. Durable memory retentive silicone rubber gasket and lens.

Additional Options (Consult Factory For Pricing)



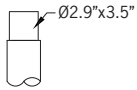
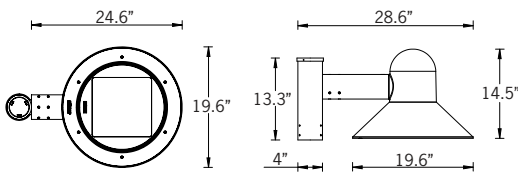
A90991
Zhaga Book 18



A90891
NEMA 7



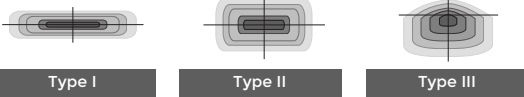
RNG
Decorative Rings



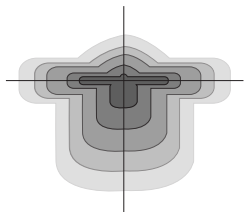
Tenon Detail



Ligman's micro Variable Optical System provides the ability to interchange, mix & rotate optics to provide specific light distributions for optimized spacing and uniformity.



The variable optic system allows for the designer to create hybrid distributions for precise lighting requirements.



HYBRID
TYPE I & TYPE IV



LIGHCONNECT IoT Ready Hamilton

This luminaire is available with NEMA 7 or Zhaga Book 18 sockets for connection to intelligent lighting control systems.

PROJECT		DATE	
----------------	--	-------------	--

QUANTITY		TYPE		NOTE	
-----------------	--	-------------	--	-------------	--

ORDERING EXAMPLE || UHAM - 20001 - 53w - T2- W30 - 02 - 120/277v - Options

UHAM-20001					
LAMP	BEAM	LED COLOR	FINISH COLOR	VOLTAGE	
53w LED 6273 Lumens	T1 - Type I Distribution T2 - Type II Distribution T3 - Type III Distribution T4- Type IV Distribution ME - Type ME Distribution M - Medium 30° W - Wide 57° EW - Extra Wide 110°	W27 - 2700K W30 - 3000K W35 - 3500K W40 - 4000K	01 - BLACK RAL 9011 02 - DARK GREY RAL 7043 03 - WHITE RAL 9003 04 - METALLIC SILVER RAL 9006 05 - MATTE SILVER RAL 9006 06 - LIGMAN BRONZE 07 - CUSTOM RAL	 120/277v Other - Specify	

PROGRAM TO
2270 LUMENS

--	--	--

ADDITIONAL OPTIONS

- | | |
|---|--|
| <p>DIM - 0-10v Dimming</p> <p>NAT - Natatorium Rated</p> <p>A90991 - Zhaga Book 18</p> | <p>A90891 - NEMA 7</p> <p>F - Frosted Lens</p> <p>RNG - Decorative Rings</p> |
|---|--|

Hamilton Product Family



Hamilton 1

- UHAM-20001-53w-7027lm
- UHAM-20002-75w-9862lm



Hamilton 2

- UHAM-20011-2x53w-2x7027lm
- UHAM-20012-2x75w-2x9862lm



Hamilton 3

- UHAM-20021-53w-7027lm
- UHAM-20022-75w-9862lm



Hamilton 4

- UHAM-20031-2x53w-2x7027lm
- UHAM-20032-2x75w-2x9862lm



Hamilton 5

- UHAM-30001-53w-7027lm
- UHAM-30002-75w-9862lm



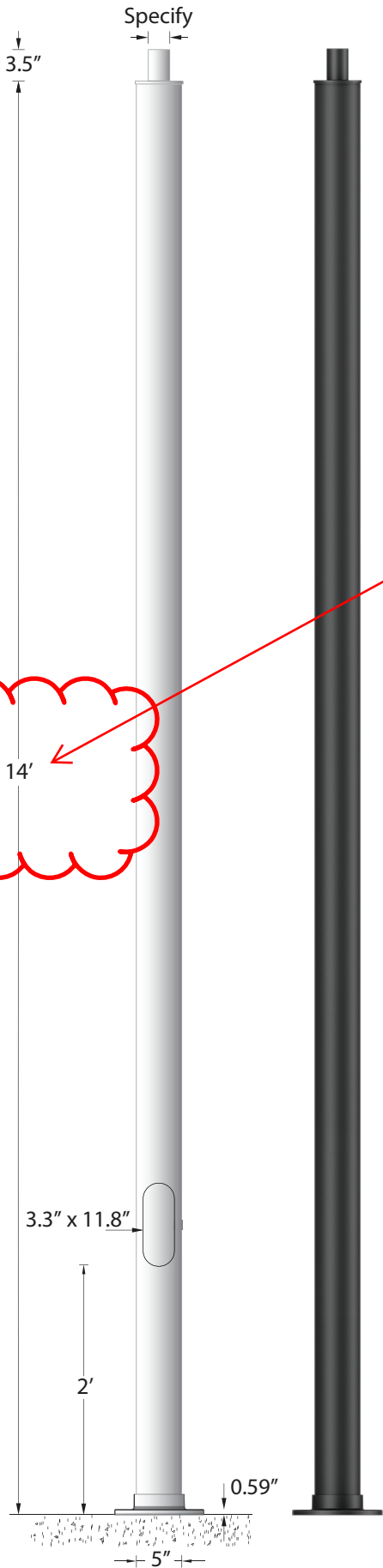
Hamilton 6

- UHAM-30011-53w-7027lm
- UHAM-30012-75w-9862lm

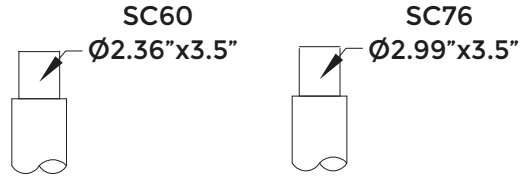
APD-RSA-5018-14'-5" DIA - .188"

Round Straight Aluminum Pole

7144 NE Progress Ct | T:503.645.0500
 Hillsboro, Oregon 97124 | F:503.645.8100
 www.ligmanlightingusa.com



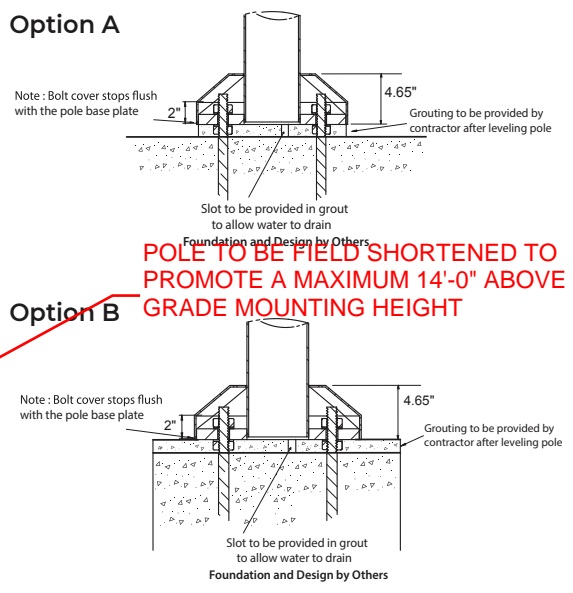
Tenon Post Top



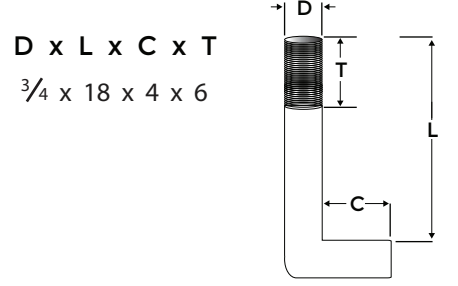
Physical Data

Pole Height: 14'
 Pole Diameter: 5"
 Thickness: 0.188"
 Weight: 50.7 lbs

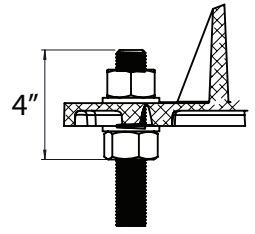
Pole Mount Install Notes



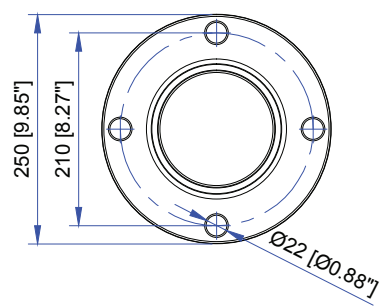
Anchor Bolt



Bolt Projection



Mounting Base



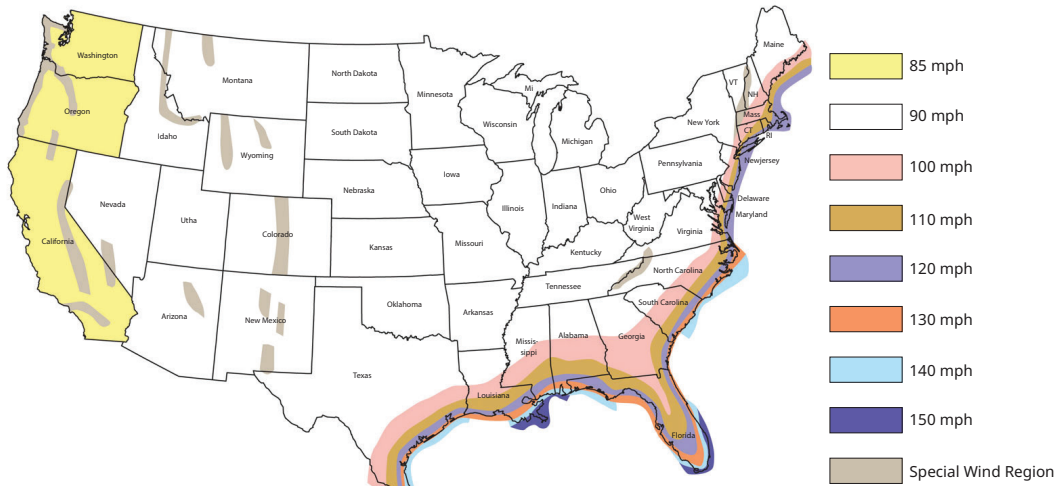
Die-Cast Base Cover



Maximum EPA

MPH	90	100	110	120	130
EPA	12.4	9.7	8.9	7.4	6.2

Wind Load Map



Ligman Lighting USA reserves the right to change specifications without prior notice, please contact factory for latest information. Due to the continual improvements in LED technology data and components may change without notice.

APD-RSA-5018-14'-5" DIA - .188"

Round Straight Aluminum Pole

7144 NE Progress Ct | T:503.645.0500
 Hillsboro, Oregon 97124 | F:503.645.8100
 www.ligmanlightingusa.com



PROJECT	<input type="text"/>	DATE	<input type="text"/>
----------------	----------------------	-------------	----------------------

QUANTITY	<input type="text"/>	TYPE	<input type="text"/>	NOTE	<input type="text"/>
-----------------	----------------------	-------------	----------------------	-------------	----------------------

ORDERING EXAMPLE || APD-RSA-5018-14'-5" DIA .188" - SC76-02

<input type="text"/>	<input type="text"/>
----------------------	----------------------

TENON	FINISH COLOR
--------------	---------------------

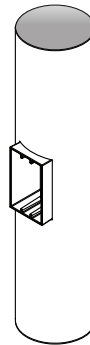
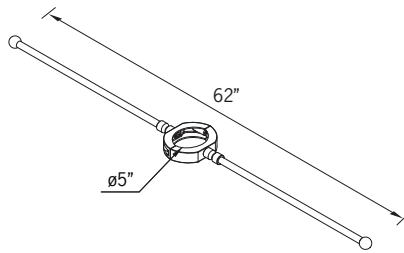
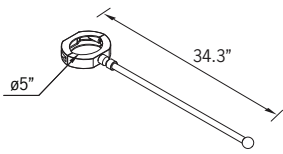
REPLACEMENT TENON TO BE ORDERED AND INSTALLED IN THE FIELD

- | | | |
|---|--|--|
| <p>SC60 - 2.36" x 3.5" Tenon</p> <p>SC76 - 2.99" x 3.5" Tenon</p> | <p>01 - BLACK RAL 9011</p> <p>02 - DARK GREY RAL 7043</p> <p>03 - WHITE RAL 9003</p> <p>04 - METALLIC SILVER RAL 9006</p> <p>05 - MATTE SILVER RAL 9006</p> <p>06 - BRONZE RAL 6014</p> <p>07 - CUSTOM RAL</p> | |
|---|--|--|

<input type="text"/>	<input type="text"/>	<input type="text"/>
----------------------	----------------------	----------------------

ADDITIONAL OPTIONS - CONSULT FACTORY FOR PRICING

- A20581 - Single Banner Arm
- A20681 - Double Banner Arm
- GFCI - GFCI Box



A20581
Single Banner Arm

A20681
Double Banner Arm

GFCI
GFCI Box

Banner arms are designed with a safety break-away at the clamp with an internal safety wire that prevents the arm from falling to the ground.

Not to scale template:

This drawing is being furnished for reference dimensions only and cannot be used as a template to set anchor bolts. Since it is "not to scale" Ligman accepts no responsibility for its intended use. Refer to site plans and specification before installing any anchor bolts.

• Contact Ligman Lighting USA for bolt template prior to pouring anchor bolts.