

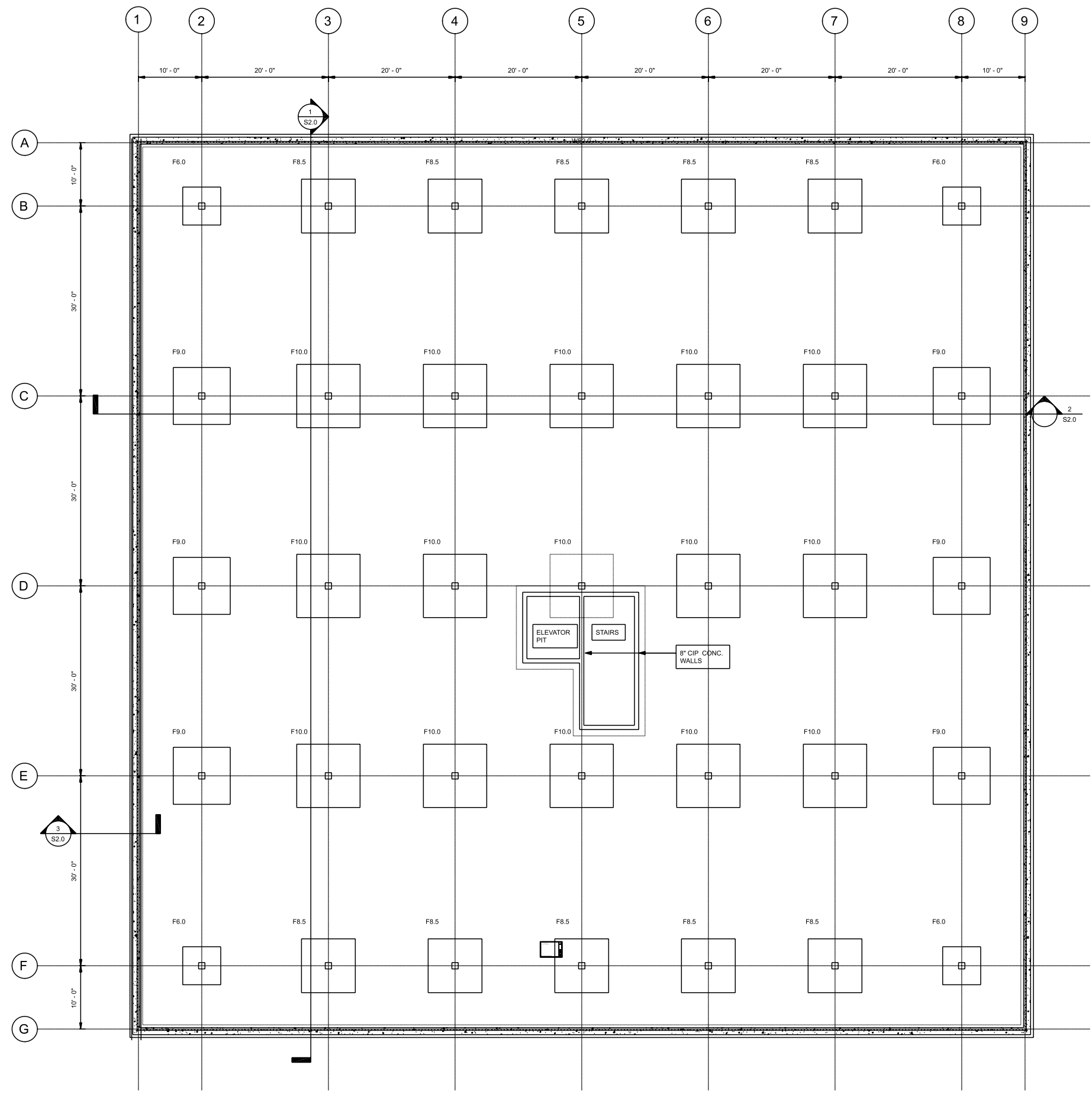


MCLC FAMILY LIMITED PARTNERSHIP  
275 EDGARTOWN ROAD  
VINEYARD HAVEN, MA 02568  
PARCEL: 19-A-20

PERMIT

DATE: 4.16.19  
DRAWN BY: MBR

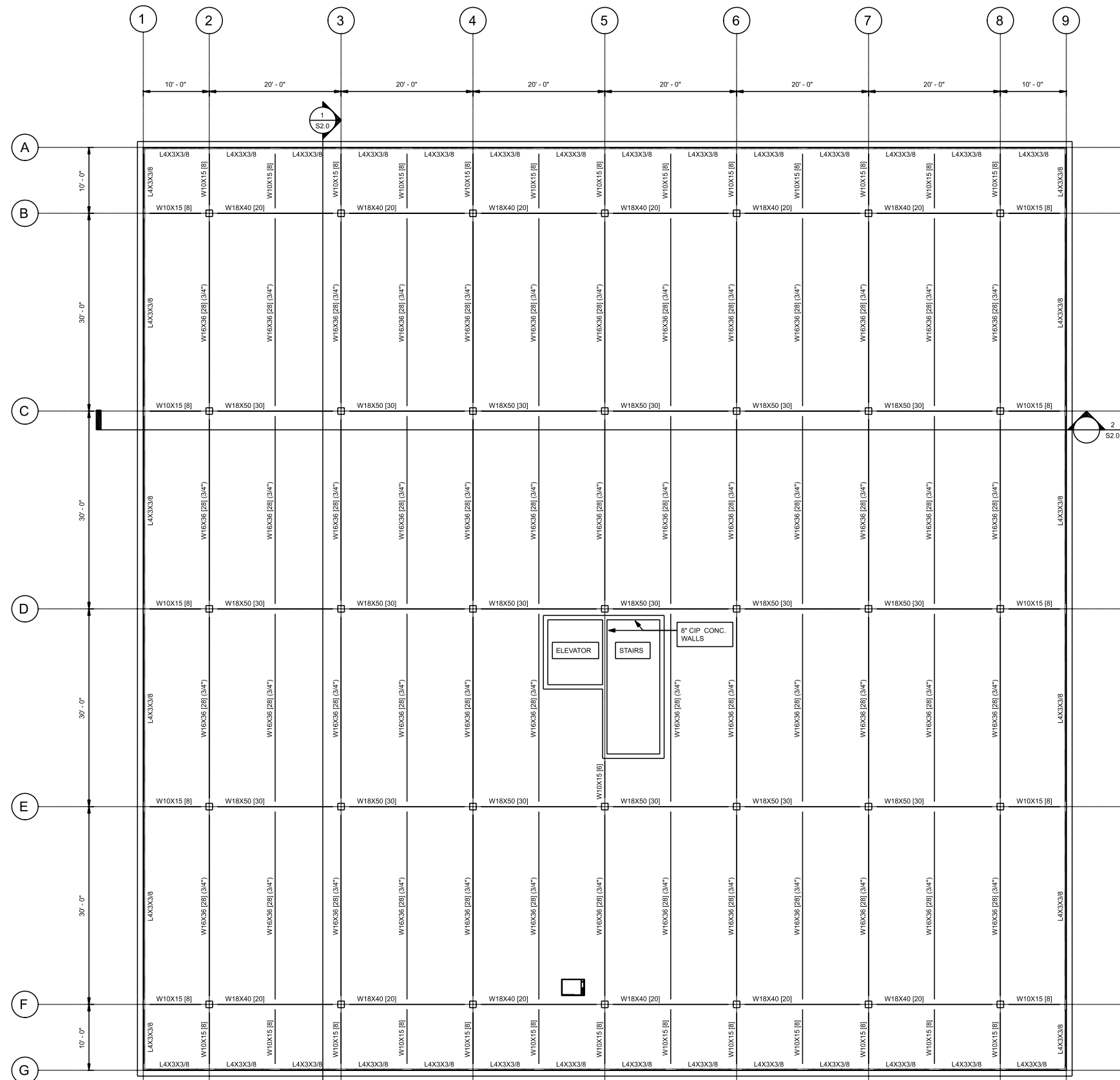
S1



C66 Footing Plan



- NOTES:
- 3 1/2" NW CONC. ON 3" X 18 GA COMPOSITE METAL DECK
  - [ X ] - INDICATES QUANTITY OF 3/4" DIA. X 4 1/2" LONG (MIN.) SHEAR STUDS
  - ( X'X' ) - INDICATES BEAM CAMBER
  - DESIGN LIVE LOAD = 150 PSF



**MCLC FAMILY LIMITED PARTNERSHIP**  
 275 EDGARTOWN ROAD  
 VINEYARD HAVEN, MA 02568

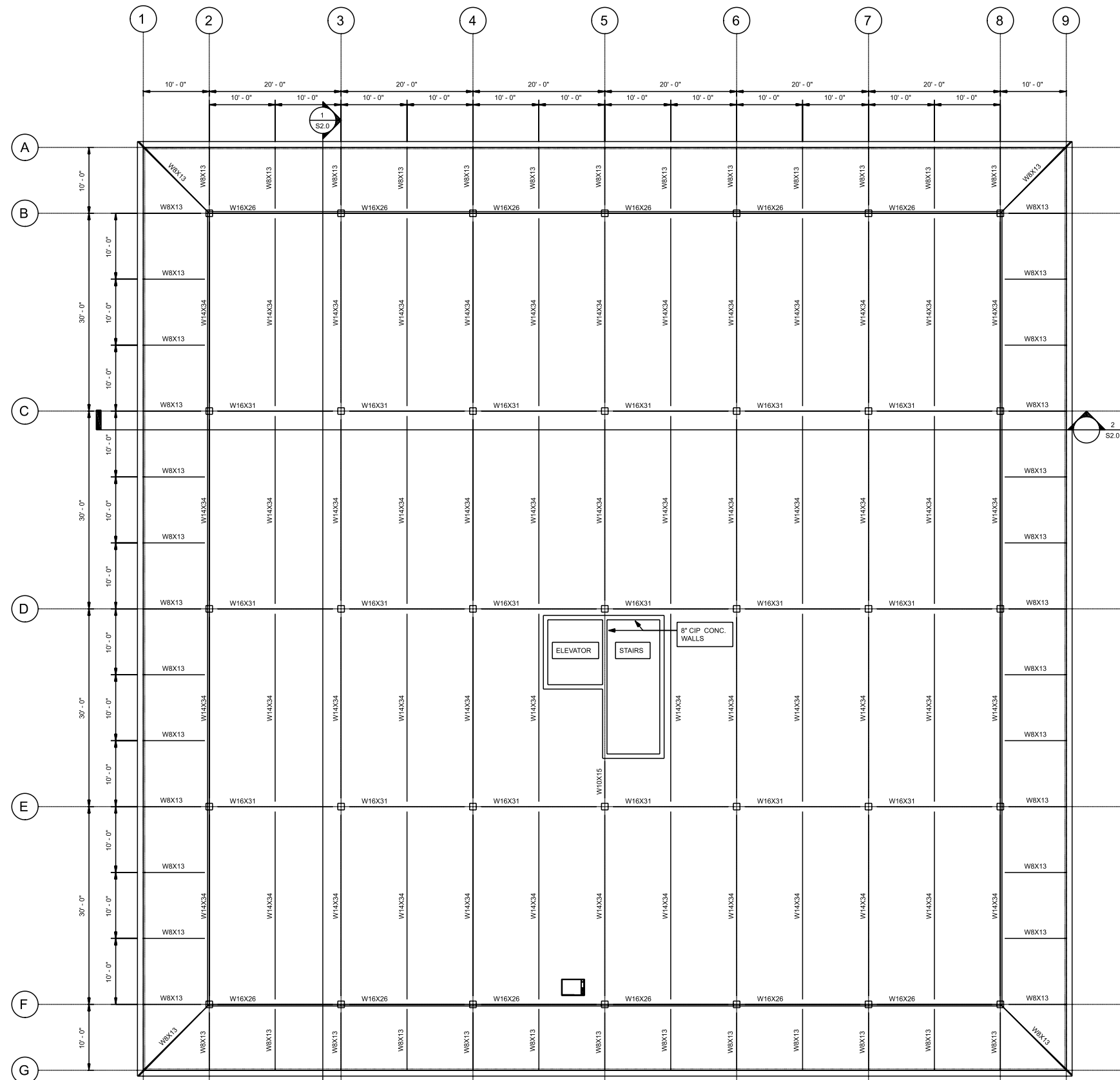
PARCEL: 19-A-20

PERMIT

DATE: 4.16.19  
 DRAWN BY: MBR

S1.2

NOTES:  
 1. 3" DEEP (TYPE N) X 18 GA GALV. METAL ROOF DECK



**MCLC FAMILY LIMITED PARTNERSHIP**  
 275 EDGARTOWN ROAD  
 VINEYARD HAVEN, MA 02568

PARCEL: 19-A-20

PERMIT

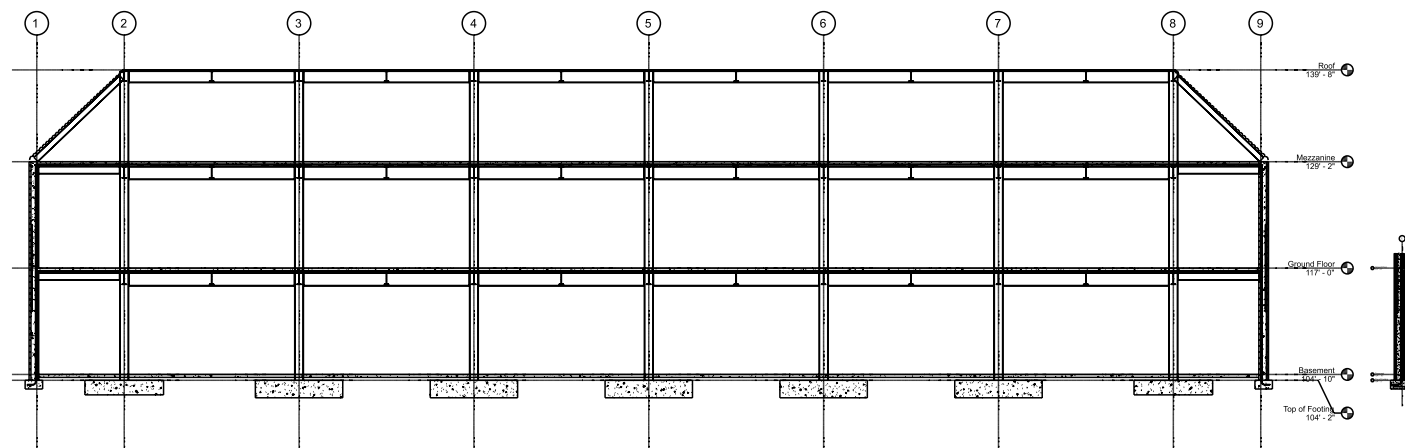
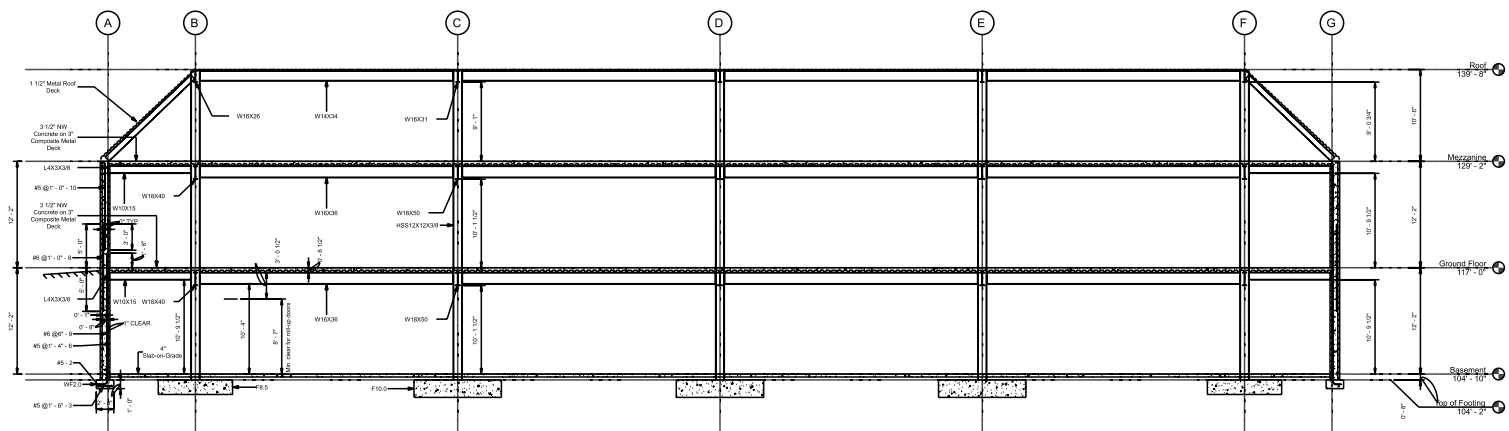
DATE: 4.16.19  
 DRAWN BY: MBR

**S1.3**



Trademark Services LLC

tsllcmv.com



MCLC FAMILY LIMITED PARTNERSHIP  
275 EDGARTOWN ROAD  
VINEYARD HAVEN, MA 02568

PARCEL: 19-A-20

PERMIT

DATE: 4.16.19

DRAWN BY: MBR

S2



Trademark Services LLC  
tsllcmv.com

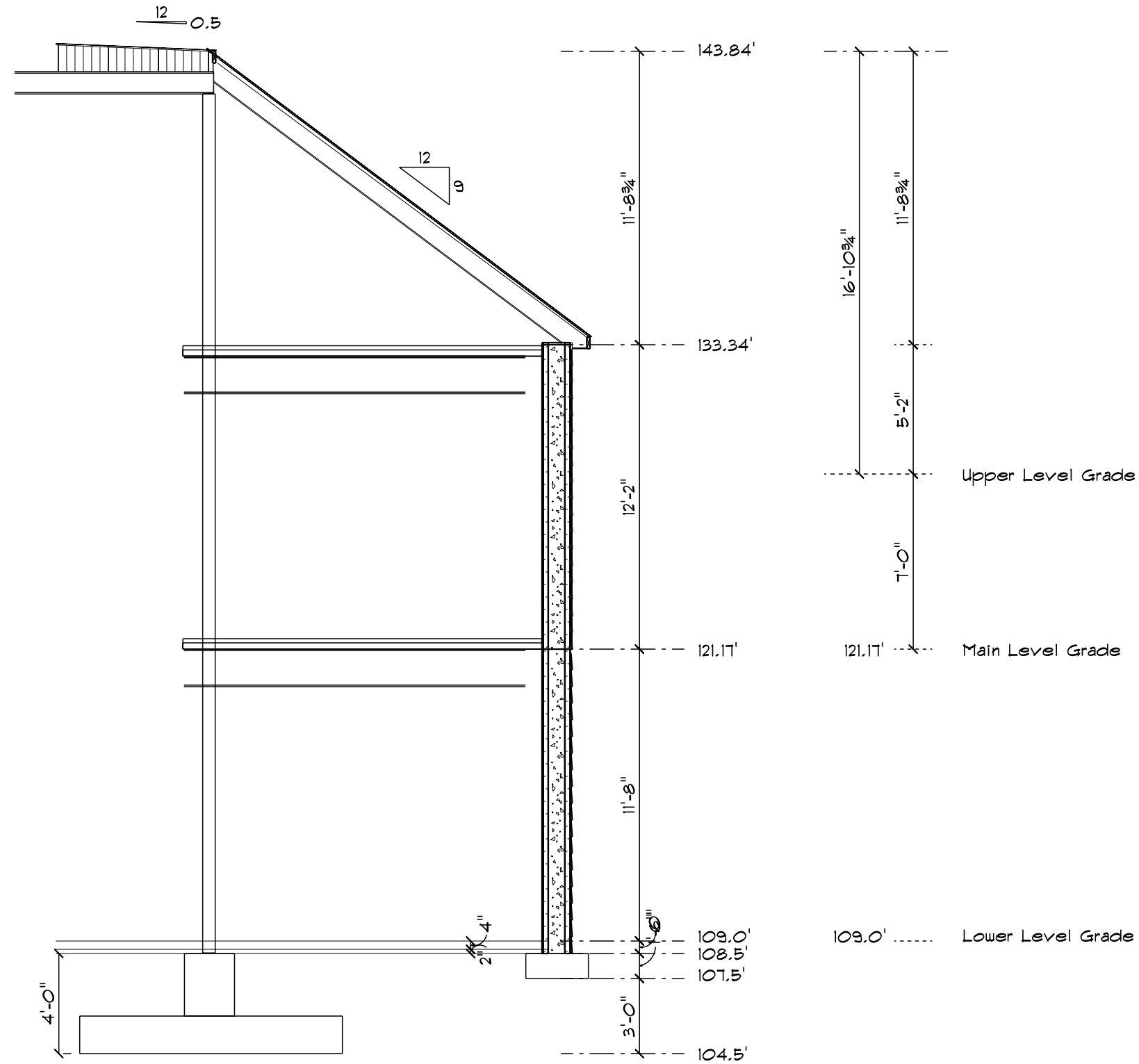
MCLC FAMILY LIMITED PARTNERSHIP  
275 EDGARTOWN ROAD  
VINEYARD HAVEN, MA 02568  
PARCEL: 19-A-20

PERMIT

DATE: 4.16.19

DRAWN BY: MBR

A05



CSS SECTION WITH GRADE LABELS