

LIGHTING LEGEND	
	LOW LEVEL DOWNLIGHT
	OUTDOOR RECESSED DOWNLIGHT ABOVE RECESSED ENTRANCES
	DECORATIVE WALL SCONCE
	GOOSENECK DECORATIVE DOWNLIGHT
	WALL MOUNTED INTEGRATED UPLIGHTING WALL WASHER AND DOWNLIGHT
	LAMP STAND (TO MATCH TOWNSHIP)



LOW LEVEL DOWNLIGHT



OUTDOOR RECESSED DOWNLIGHT ABOVE RECESSED ENTRANCES



DECORATIVE WALL SCONCE



GOOSENECK DECORATIVE DOWNLIGHT



WALL MOUNTED INTEGRATED UPLIGHTING WALL WASHER AND DOWNLIGHT



LAMP STAND (TO MATCH TOWNSHIP)

PERMIT SET
NOT FOR CONSTRUCTION

A-104

1/16"=1'-0" Scale: 08/02/2021 Date:

LIGHTING PLAN

4 State Road
Vineyard Haven
Martha's Vineyard, Massachusetts



Delano & Co.
1 Lagoon Pond Road, #2109
Vineyard Haven, Massachusetts

KICHLER®

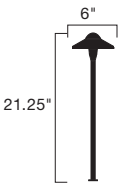
PROJECT:
TYPE:
ORDERING # :
COMMENTS:

LED 6" Dome Path Light



FEATURES

- A popular look has a new addition with a smaller 6" shade and is available in LED.
- Coordinates with 15810 & 15811 LED Domed Roof series.
- Cast Aluminum or Cast Brass Housing.
- 4 W / 5.8 VA, Integrated LEDs and Driver, 2950K (-150/+175), High CRI.
- 9V - 15V AC/DC
- 30" of usable #18-2, SPT-1-W leads. Cable connector supplied.
- 8" In-ground stake



ORDERING INFORMATION

EXAMPLE: 15870AZT (Product # & Finish)

PRODUCT	FINISH	WATTAGE	LIGHT SOURCE	WIRING	MOUNTING ACCESSORIES (INCLUDED)	OPTIONS & ACCESSORIES																				
15870 Dimensions: 6" W x 21.25" L	Cast Aluminum AZT - Textured Architectural Bronze™	4 W / 5.8 VA Note: Not for use with electronic transformers.	Integrated LEDs and Driver 2950K (-150 / +175) High CRI	30" of usable #18-2, SPT-1-W leads. Cable connector supplied.	8" In-ground stake	15601AZT - Cast Aluminum Surface Mounting Flange w/ Bronze Finish, Neoprene Gasket For Watertight Seal																				
	BE - Beach					15601BKT - Cast Aluminum Surface Mounting Flange w/ Black Finish, Neoprene Gasket For Watertight Seal																				
	BKT - Textured Black					15601BBR - Cast Brass Surface Mounting Flange, Neoprene Gasket For Watertight Seal																				
	Cast Brass BBR - Bronzed Brass					Flange For Tree / Surface Mounting 15607AZT - Textured Bronze Finish 15607BKT - Textured Black Finish 15607BBR - Bronzed Brass Finish																				
		Fixture Photometric (fc)																								
		<table border="1"> <tr> <td>Distance from Light</td> <td>0'</td> <td>1'</td> <td>2'</td> <td>3'</td> <td>4'</td> <td>5'</td> <td>6'</td> <td>7'</td> <td>8'</td> </tr> <tr> <td>Footcandles</td> <td>6.11</td> <td>5.71</td> <td>3.97</td> <td>2.55</td> <td>1.64</td> <td>0.90</td> <td>0.50</td> <td>0.40</td> <td>0.31</td> </tr> </table>		Distance from Light	0'	1'	2'	3'	4'	5'	6'	7'	8'	Footcandles	6.11	5.71	3.97	2.55	1.64	0.90	0.50	0.40	0.31			
Distance from Light	0'	1'	2'	3'	4'	5'	6'	7'	8'																	
Footcandles	6.11	5.71	3.97	2.55	1.64	0.90	0.50	0.40	0.31																	



NOTES

For Warranty Information, please visit www.landscapelighting.com

We reserve the right to revise the design or components of any product due to parts availability or change in UL standards, without assuming any obligation or liability to modify any products previously manufactured, and without notice.

Heritage
COLLECTION

← 5½" W →

13½" H



NANTUCKET

2370AS

MEDIUM WALL MOUNT LANTERN

A Hinkley classic, Nantucket features a timeless New England design for the ultimate in vintage nautical chic. An Aged Brass finish, clear seeded glass panels and durable solid brass construction add to its retro appeal.

DETAILS

FINISH:	Aged Brass
MATERIAL:	Solid Brass
GLASS:	Clear Seedy

DIMENSIONS

WIDTH:	5.5"
HEIGHT:	13.5"
WEIGHT:	3 lbs.
BACK PLATE:	5.5"W X 7"H
EXTENSION:	5.5"
TOP TO OUTLET:	9.25"

LIGHT SOURCE

LIGHT SOURCE:	Socket
WATTAGE:	1-75w Med.
VOLTAGE:	120v

SHIPPING

CARTON LENGTH:	14"
CARTON WIDTH:	7.5"
CARTON HEIGHT:	7.5"
CARTON WEIGHT:	5 lbs.

PRODUCT DETAILS:

- Suitable for use in wet (interior direct splash and outdoor direct rain or sprinkler) locations as defined by NEC and CEC. Meets United States UL Underwriters Laboratories & CSA Canadian Standards Association Product Safety Standards
- 2 year finish warranty
- The Heritage Collection encompasses premium outdoor fixtures that pay tribute to the nostalgia of America's past while reinforcing Hinkley's philosophy of timeless, quality design.
- Classic lines and heritage details complement traditional architecture
- Rich dark brass finish
- Please refer to Hinkley's Warranty for complete product warranty details; some warranty limitations may apply.

HINKLEY

HINKLEY
33000 Pin Oak Parkway
Avon Lake, OH 44012

PHONE: (440) 653-5500
Toll Free: 1 (800) 446-5539

hinkley.com

The Topanga

Wall Mount



The go-to for American-made, handcrafted lights.
A family-owned business, comfortable making things the old fashioned way.

Dome



DOMES: (C14) Classic 14" Dome

MOUNT: Choose between 11" straight arm, 11" gooseneck, 16" gooseneck, 23" gooseneck, or upward sloping gooseneck

SOCKET: 120V Medium Base Porcelain Socket and 6ft of Wiring. Comes with a threaded Covernut and Gasket for a secure and water proof seal

MOUNTING HARDWARE: (BP12) Heavy Duty 4" Die Cast Base Plate with Gasket and Screws (fits with a 4" Round Electrical Box)

Parts Included

CUSTOMIZABLE: From the shape and the size to the interior color, you can decide what fits best into your vision and we can make it happen.

ALL-WEATHER: Built to last and withstand any storm the outside - or inside - world throws its way.

STEEL CONSTRUCTION: Expertly spun using 18 gauge steel and strong enough to make a lasting statement.

FAST & FREE SHIPPING: We move quickly so your timelines can too - free shipping within 24 hours in the continental US!

APPLICATION: Exterior garage walls, barn sides, or overlooking porches and patios.

Features



Mounts



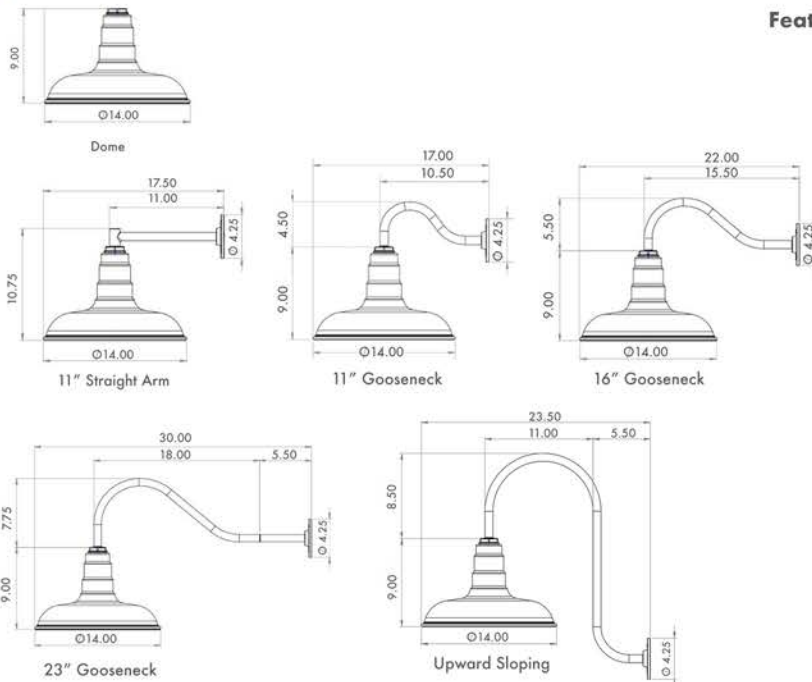
Colors



Galvanized option not available on straight arm mounts

Custom colors are available for an additional fee. Please provide a RAL number

Dimensional Data



Optional Accessories

Electrical Box (RB05): 4" round die cast electrical box which is powder coated to match your fixture.

LED Bulb (LFLA): 800 Lumen Filament LED Medium base screw-in bulb.

6" Mounting Plate (LP12): A larger mounting plate if the standard 4" mounting plate is too small.

Choose each item specification to breakdown the SKU numbers for your order below

Ordering Information

C14	Color	Mount	Color	Mounting Hardware	Color	Electrical Box (optional)	Color	LED Bulb (optional)
	00 04	GB01	00 04	BP12 - Standard 4" Mounting Plate	00 04	RB05 - 4" round die cast electrical box	00 04	LFLA - LED Bulb
	01 06	GB04	01 06	LP12 - Larger 6" Mounting Plate	01 06		01 06	
	1M 08	GB05	1M 08		1M 08		1M 08	
	03	GB06	03		03		03	
		ST11						

Item # 72502-615B-L	UPC Code: 747396092348
Product Family Name: Skyline	Finish: Dorian Bronze™
Category: OUTDOOR WALL MOUNT	Category Type:
Certification 4006752	
Patents:	
Notes:	



Image File Name: 72502-615B-L.jpg



MEASUREMENTS

Width: 5	Length: 14.5	Height: 4	Extension: 4
Height Adjustable: No	Min Overall Height:	Max Overall Height:	Slope: No
Wire Length: 7 INCH	Chain Length:	Safety Cable Included: No	Net Weight: 2.8
Canopy Width:	Canopy Height:	Canopy Length:	Center to Bottom: 7.13
Backplate Width: 5.0	Backplate Height: 5.0	Center to Top: 7.25	

No. of Bulbs: 2	Light Type: Z13 LED			
Max Bulb Wattage: 13	Socket: Y13 LED MODULE			
Dimmable: Yes	Ballast:	Rated Life Hours: 30000	Photocell Included: No	Bulb/LED Included: Y
Bulb/LED Included: Yes	Color Temp.: 3000	CRI: 92	Initial Lumens: 1582.1	Delivered Lumens: 990.8



SHIPPING

Description:	Material: GLASS
Part No.: G72501-L-1	Quantity: 1
Width: 2.97	Height: 0.55
	Length: 2.97

Carton Width: 6.5	Carton Height: 17.0	Carton Length: 7.25
Carton Weight: 3.7	Carton Cubic Feet: 0.464	Small Package Shippable: Yes
Master Pack Width: 8.0	Master Pack Height: 18.0	Master Pack Length: 13.5
Master Pack Weight: 8.382	Master Cubic Feet: 1.125	Multi-Pack: 2

LED



**ADA
Compliant**



**Wet
Location**



**ETL
Intertek**



WARNING: Handling this product can expose you to chemicals including lead, which is known to the State of California to cause cancer and birth defects or other reproductive harm. Wash hands with soap and water after installing, handling, cleaning or otherwise touching this product. For more information go to: www.P65Warnings.ca.gov.

For additional information, please contact Customer Care: 1-800-221-7977 | Product depicted on this spec sheet is protected by United States Federal and/or State laws including US Patent, Trademark and/or Copyright and unfair competition laws. Unauthorized reproduction or use carries severe legal penalties.

DESCRIPTION

The HLB4 is a 4-inch ultra-thin LED lens downlight with remote driver / junction box suitable for new construction and remodel applications. Field selectable color temperature and high color rendering provide excellent color performance. Simplified installation in drywall or suspended ceilings eliminates recessed cans saving time and money. Installs from below the ceiling in as little as 1-1/2" plenum height, can be used in direct contact with insulation and is airtight. Use for general area lighting in low to medium height ceilings where energy savings, long life and economy are required.

Catalog #		Type	
Project		Date	
Comments			
Prepared by			

SPECIFICATION FEATURES

HOUSING

- Die cast aluminum mounting frame with integral flange provides passive thermal cooling achieving L70 at 50,000 hours in IC and non-IC applications
- High impact diffuse lens provides shielding to the light guide minimizing pixilation.

GASKET

- Closed cell gasket achieves restrictive airflow and wet location listing without additional gaskets or caulking

OPTICS

- Precision acrylic light guide organizes source flux into wide distribution with 1.4 spacing criteria, useful for general area illumination

LED ARRAY

- Plurality of mid power LED's provides a uniform source with high efficiency and long life
- Available in 90 CRI minimum, R9 greater than 50 provides high color rendering
- Fixed 3000 and 4000 K CCT color temperatures, color accuracy within 3 SDCM
- Optional field selectable color temperature, select 2700, 3000, 3500, 4000 or 5000 K CCT, color accuracy within 4 SDCM
- Meets Energy Star color angular uniformity requirements, deviation is less than 0.006 u' v'

REMOTE DRIVER / JUNCTION BOX

- Pre-galvanized steel driver / junction box with captive hinged junction box cover
- Listed for (6) #12 AWG 90° C splice conductors, 2-in, 2-out plus (2) ground
- (2) 1/2" conduit pry-outs
- (2) Slide-N-Side™ non-metallic (NM) wire traps allows wiring outside the box

- Accepts 14-2, 14-3, 12-2, 12-3 U.S. and 14-2, 14-3, 12-2 Canadian NM cable
- (3) 4-port push wire nuts with clear caps for quick and reliable mains voltage connections
- Integral mounting holes facilitate direct mounting to building structure or mounting frame

DRIVER

- 120V 60 Hz constant current driver provides noise free operation
- Continuous, flicker-free dimming from 100% to 5% with select leading or trailing edge 120V phase cut dimmers
- Plenum rated inline electrical quick connect provides low voltage connection to fixture fitting, CMP/FT6 rated

INSTALLATION

- Can be installed in 1/2" to 1-1/4" thick ceilings
- Cutout utilizes standard round hole saw sizes, cutout template provided
- Heat treated springs hold fixture fitting securely in the ceiling eliminating light leaks
- Housing is less than 1/2" thick and can span a 2" nominal framing member
- Can be removed from below the ceiling for service or replacement

OPTIONAL MOUNTING FRAME

- Pre-galvanized steel mounting frame locates fixture fittings during electrical rough in and provides cutout guidance for drywall contractor
- Provides attachment of remote driver / junction box

COMPLIANCE

- cULus certified type IC suitable for direct contact with air permeable insulation
- Not recommended for use in direct contact with spray foam insulation, reference NEMA LSD57-2013
- Wet location listed and IP44 ingress protection
- Airtight per ASTM-E283-04
- Suitable for use in clothes closets when installed in accordance with the NEC 410.16 spacing requirements
- EMI/RFI emissions per FCC 47CFR Part 15 consumer limits
- Contains no mercury or lead and RoHS compliant
- Photometric testing in accordance with IES LM-79-08
- Lumen maintenance projections in accordance with IES LM-80-08 and TM-21-11
- Can be used for State of California Title 24 high efficacy LED compliance under JA8, reference Modernized Appliance Efficiency Database System (MAEDBS) for 2016 JA8 High Efficacy Lighting
- ENERGY STAR® certified, reference "Certified Light Fixtures" database

WARRANTY

- Five year limited warranty, consult website for details. www.eaton.com/lighting/legal



HLB4

**4-Inch LED Lens
Downlight with Remote
Driver / Junction Box**

**Up to 750 Lumens
Field Selectable CCT**



2700K • 3000K • 3500K
4000K • 5000K

ENERGY DATA

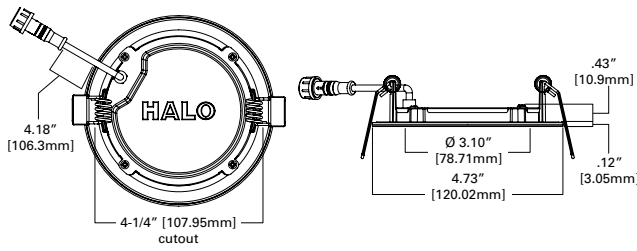
Lumens	600 Series
Input Voltage	120V
Input Current	100 (mA)
Input Power	12.0 (W)
Efficiency	60 (LPW)
Inrush (A)	2.2 A @ 42mS
THD	≤ 20%
PF	≥ 0.90
T Ambient	-30° - +40°C
Sound Rating	≤ 22 dba



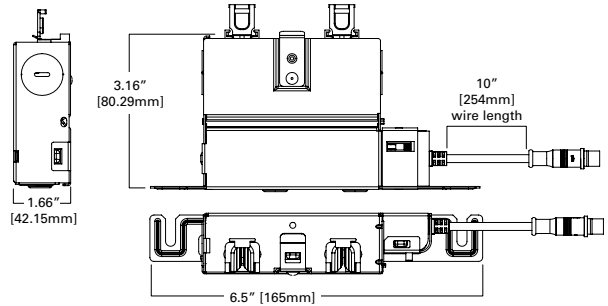
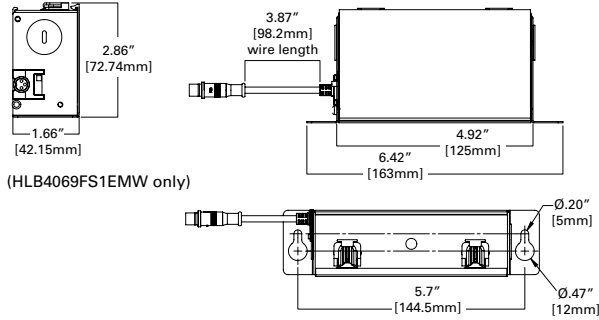
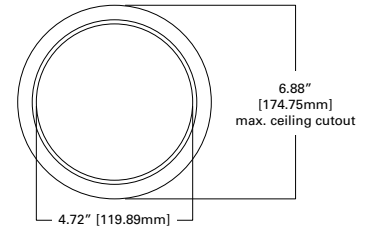
Refer to ENERGY STAR® Certified Products List. Can be used to comply with California Title 24 High Efficacy requirements. Certified to California Appliance Efficiency Database under JA8.



DIMENSIONS



HLB4ROTMW
Oversized trim



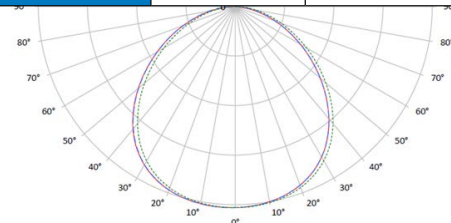
ORDERING INFORMATION

SAMPLE NUMBER: HLB4069FS1EMWR

Models	Lumens	CRI / CCT	Driver	Finish	Packaging
HLB4 = 4-Inch LED lens downlight with remote driver / junction box	06 =600 lumens (nominal)	930 =90 CRI minimum, 3000 K CCT 940 =90 CRI minimum, 4000 K CCT 9FS =90 CRI minimum, field selectable 2700, 3000, 3500, 4000 or 5000 K CCT	1E = 120V 60Hz, LE & TE phase cut 5% dimming	MW = matte white flange	R = recyclable 4-color unit carton suitable for point of purchase merchandising display
Accessories					
HL4NCMF = 4" new construction mounting frame HLB4ROTMW = 4" round oversized trim, matte white Designer Trims HLB4TRMMW = 4" round decorative overlay, matte white HLB4TRMSN = 4" round decorative overlay, satin nickel HLB4TRMTBZ = 4" round decorative overlay, tuscan bronze			Extension Cable Dedicated Driver/Jbox HLB06EC - 6 ft. extension cable HLB12EC - 12 ft. extension cable HLB20EC - 20 ft. extension cable Extension Cable seleCCTable Driver/Jbox HLB06FSEC - 6 ft. extension cable HLB12FSEC - 12 ft. extension cable HLB20FSEC - 20 ft. extension cable		

PHOTOMETRIC DATA

HLB4069FS1EMW-3000K		
Luminaire lumens	723	
Input watts	12	
LER (LPW)	60.3	
Spacing Criteria	0-180	1.28
	90-270	1.28
	Diagonal	1.39
Beam angle (degrees)	110.2	
Field angle (degrees)	160	
Zonal lumen	Lumens	% Lumens
0-30	203	28.1
0-40	335	46.3
0-60	581	80.4
0-90	723	100



Color Metric Summary - 3000K

TM-30-15	R _f = 90.9
	R _g = 100.7
CRI/CIE	R _a = 94.1
	R ₉ = 68.5



CCT - Range of 2700K- 5000K

Product Specifications

PRODUCT SPECIFICATIONS

Lumens	723
Watts	10.7
Lumens Per Watt (Efficacy)	67.6
Color Accuracy (CRI)	92
Light Color (CCT) <small>Correlated Color Temperature (CCT)</small>	3000K

2700K 3000K 4500K 6500K

HLB4 4-inch	CCT	Lumens	Power (W)	LPW
Fixed CCT	3000K	734.6	10.2	72.7
	4000K	773.2	10.2	76.2
Field Selectable CCT	2700K	720.0	12.0	60.0
	3000K	723.0	12.0	60.3
	3500K	735.2	12.0	61.3
	4000K	746.1	12.0	62.2
	5000K	751.9	12.0	62.7

* Tested in accordance with IES LM63. Field results may vary.