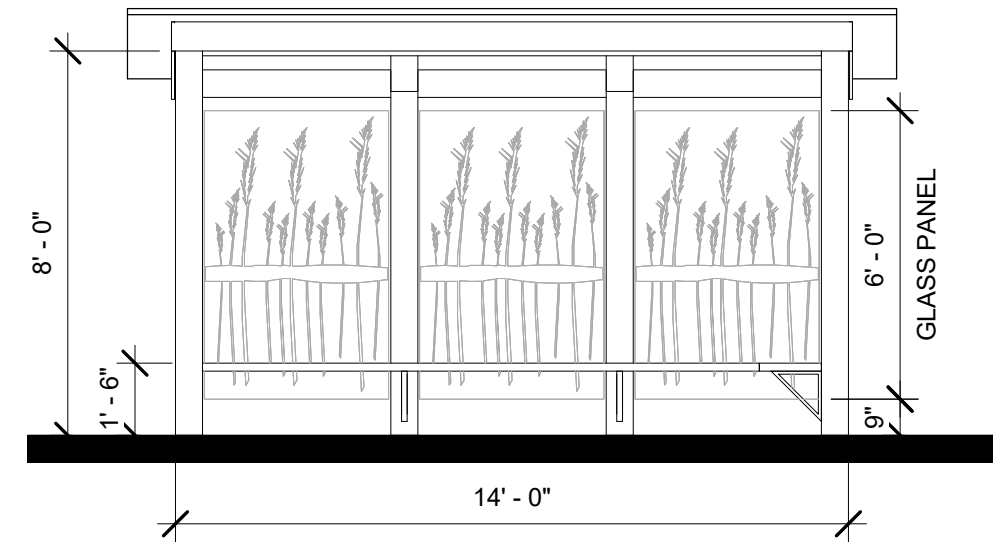


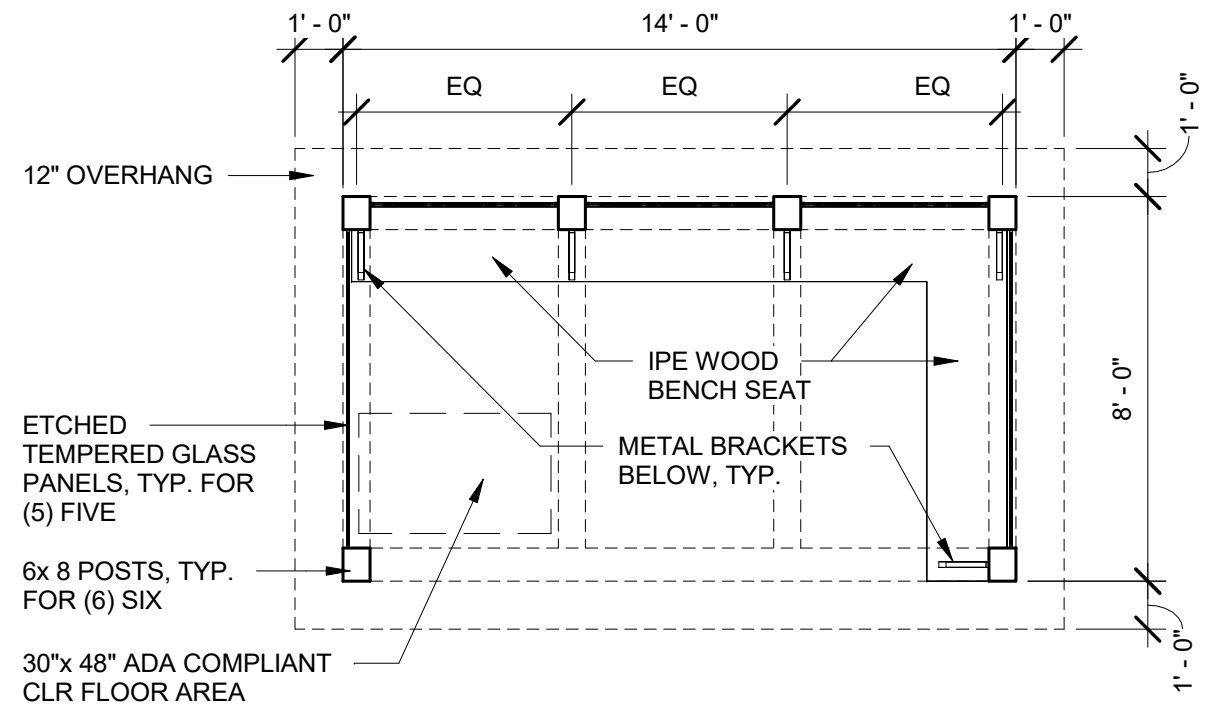
3 SECTION  
3/8" = 1'-0"



1 FRONT ELEVATION  
1/4" = 1'-0"

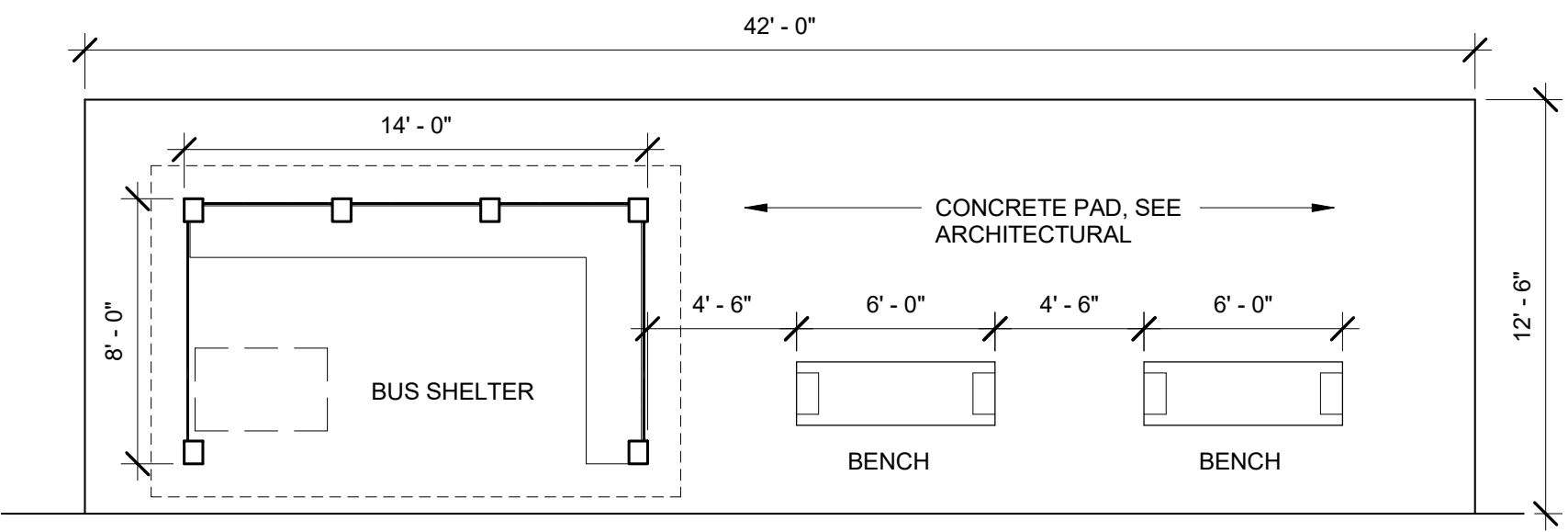
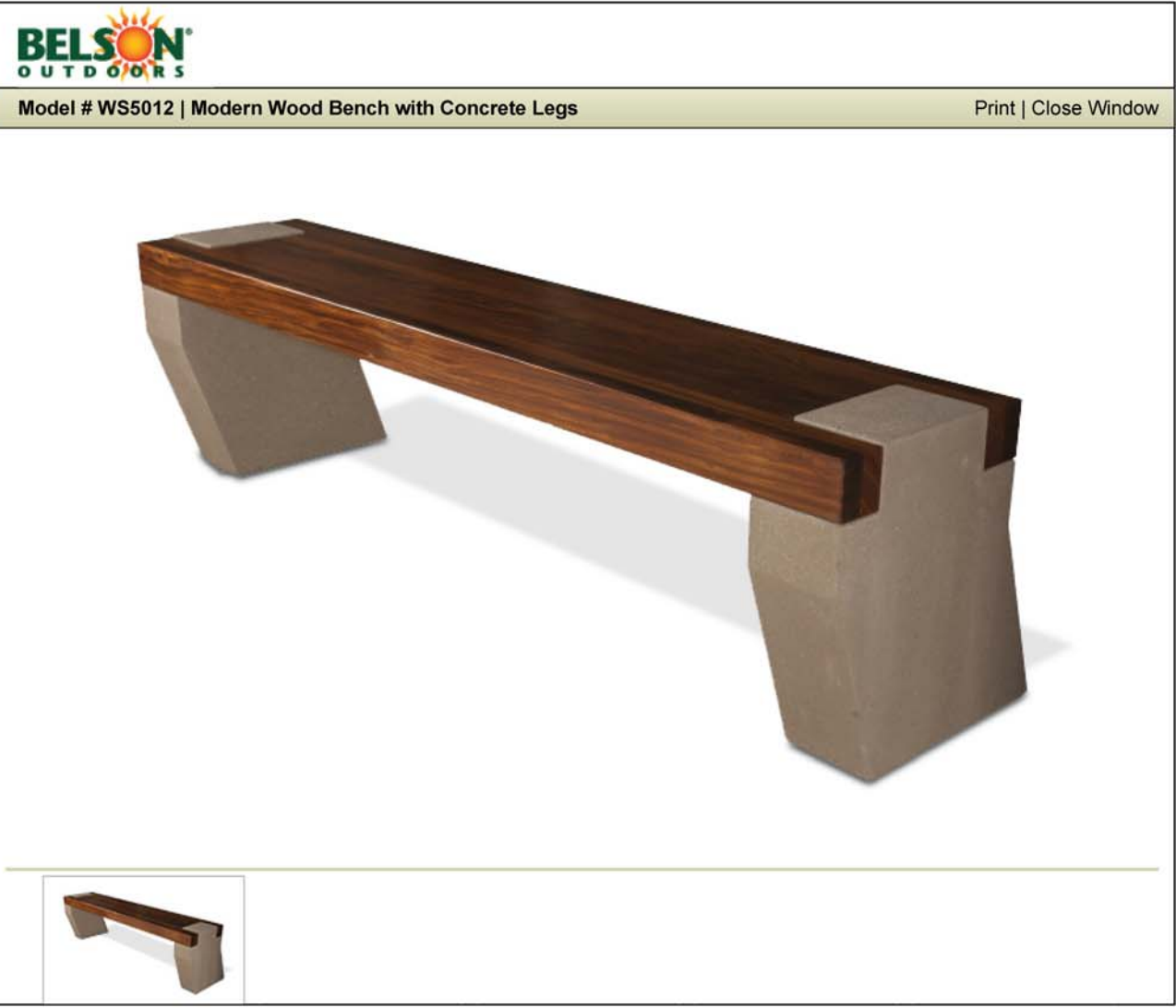


4 PERSPECTIVE  
NTS

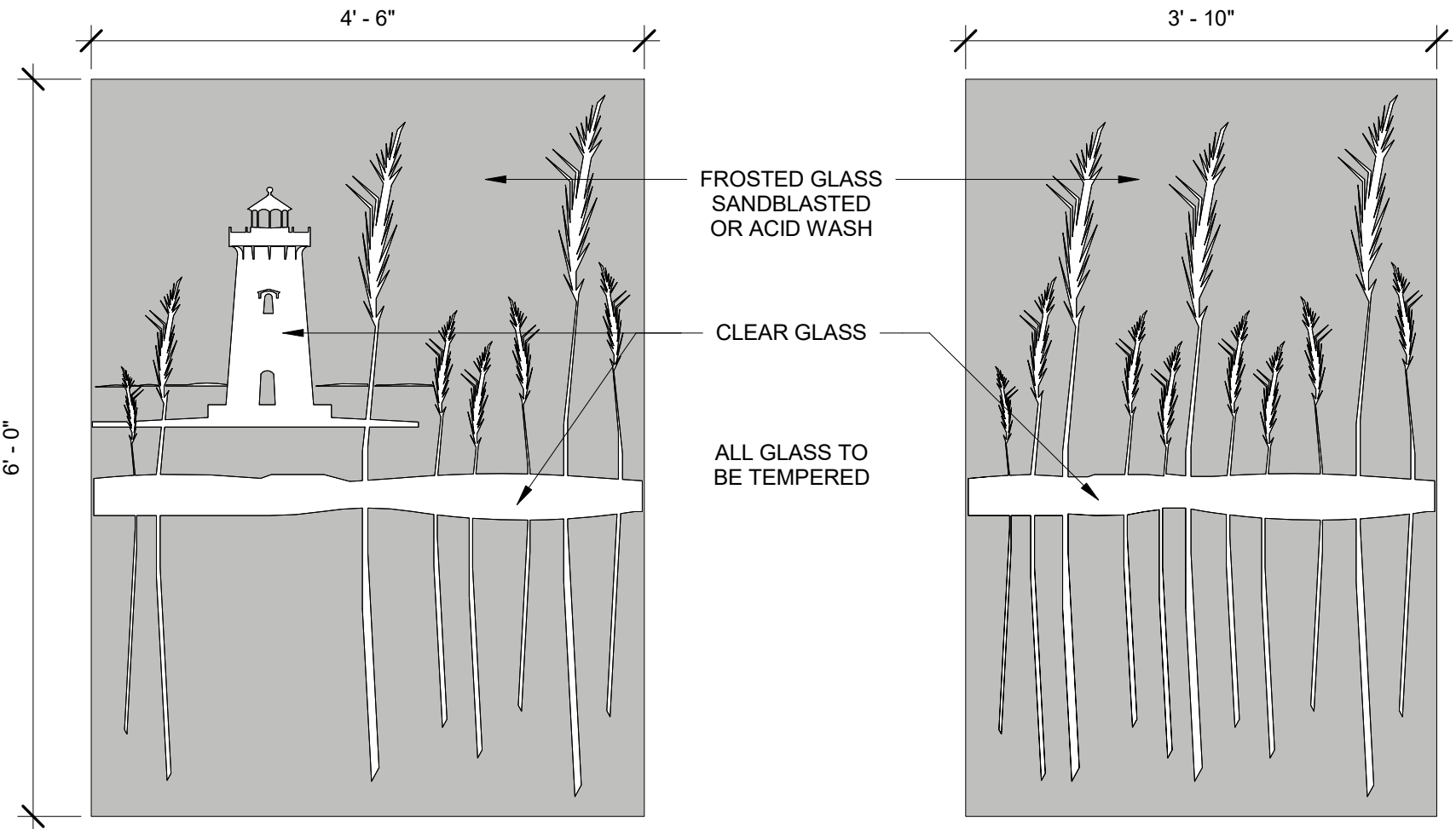


2 SHELTER FLOOR PLAN  
1/4" = 1'-0"

UPPER MAIN STREET - PROPOSED BUS SHELTER



1 PROPOSED BUS STOP SEATING  
 3/16" = 1'-0"



UPPER MAIN STREET - PROPOSED SEATING