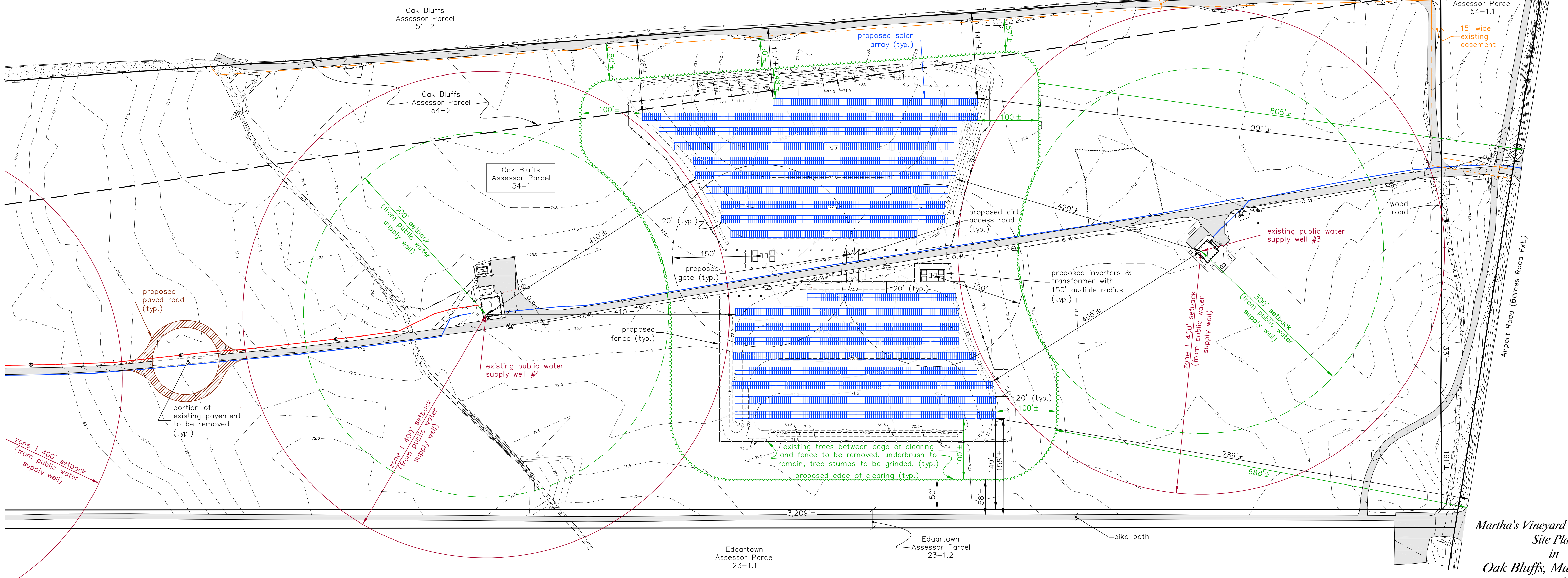


Legend

- denotes existing pavement
- denotes existing dirt road
- denotes proposed pavement
- denotes existing chain link fence
- denotes stockade fence
- denotes existing easement
- denotes overhead wire
- denotes utility pole
- denotes electric manhole cover
- denotes hydrant
- denotes existing gate
- denotes existing contour
- denotes proposed contour
- denotes proposed underground electric
- denotes proposed fence
- denotes proposed access road
- denotes proposed edge of clearing
- denotes approximate water main locations as marked by Dig Safe System, Inc.
- denotes approximate electric line locations as marked by Dig Safe System, Inc.

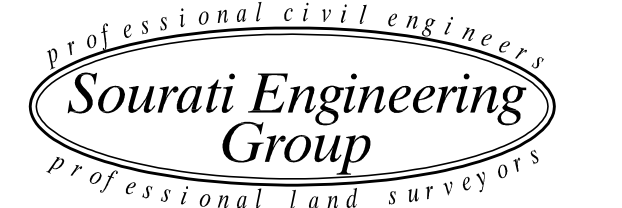
Notes

- 1.) Lot Area: 45.5± Acres + 10.75 Acres = 56.25 Acres
- 2.) System Size (DC):
247 Arrays x 18 Modules/Array = 4,446 Modules
4,446 Modules x 330 Watts/Module = 1,467,180 Watts DC = **1.46 MW DC**
- 3.) Solar Array Area: 4,446 Modules x 19.41 Sq. Ft./Module = 1.98± Acres
- 4.) Project Area: 10.37± acres
- 5.) The entire site lies entirely within N.H.E.S.P. jurisdiction.
- 6.) All elevations are relative to the North American Vertical Datum of 1988
- 7.) The entire site lies entirely within Zone II of a Public Water Supply Well
- 8.) Assessor's Parcels 54-2 & 54-1 shall merge into a single parcel

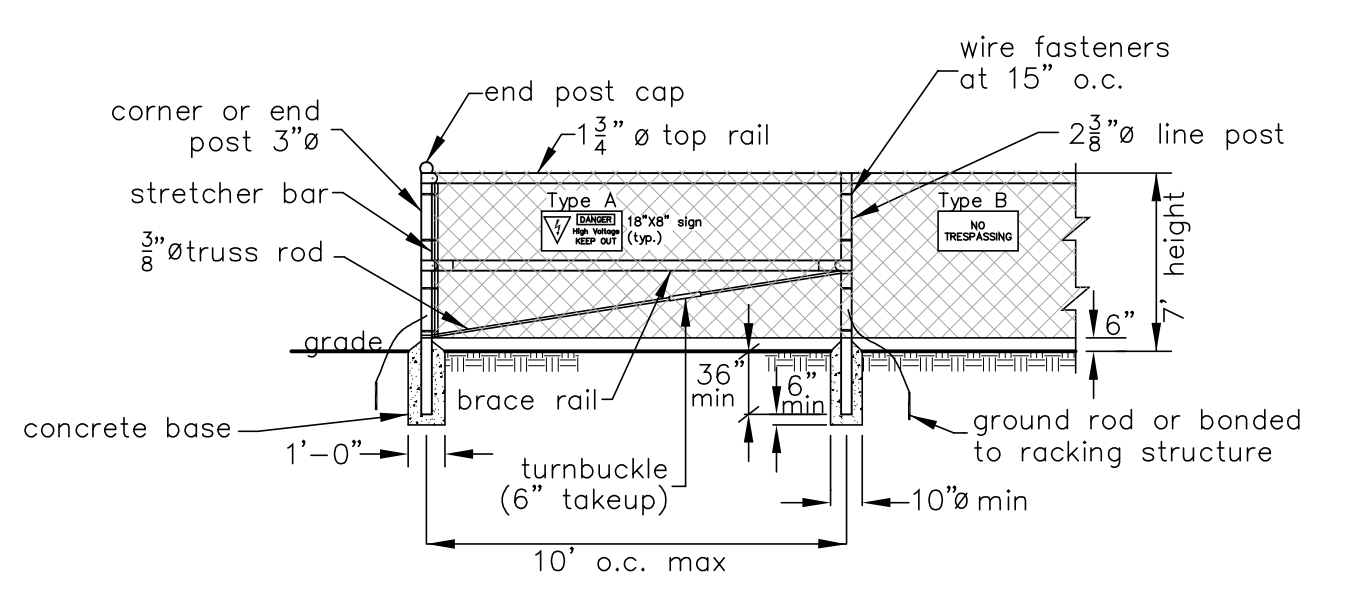


Martha's Vineyard Commission
Site Plan
in
Oak Bluffs, Massachusetts
Assessor Parcel 54 - 1 & 2
prepared for
Oak Bluffs Water District

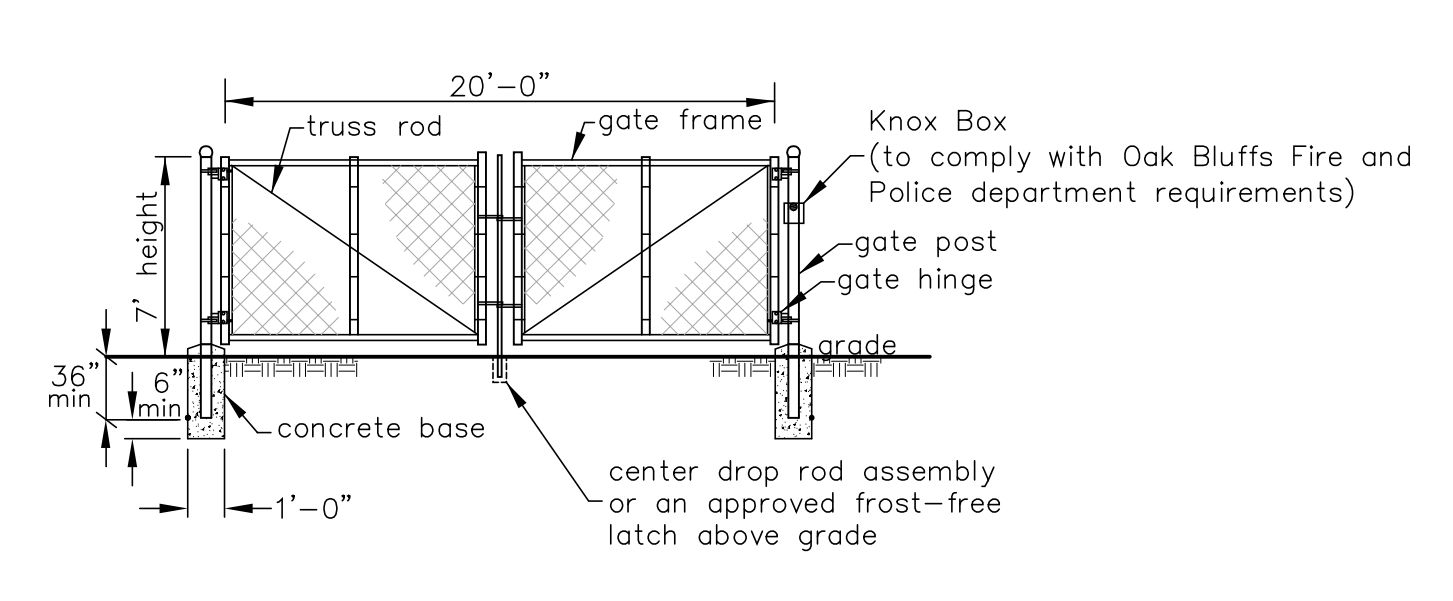
Scale 1"=80' January 14, 2016
Revised: June 28, 20016
Revised: July 13, 2016



P.O. Box 4458
107 Beach Road, Suite 202
Vineyard Haven, MA 02568
Phone (508) 693-9933 Fax (508) 693-4933



Chain Link Fence Detail
Scale: NTS



Chain Link Double-Swing Vehicle Gate
Scale: NTS

- Notes:
- A.) Signs Type A and B must be located at eye level and located on all gates. Distance between signs must not exceed 50'. Affix appropriate company owner name and contact info decal to both signs A and B
 - B.) All fence materials shall be hot-dipped galvanized
 - C.) Perimeter fencing shall be raised 6" off of finished grade, and shall have a mesh size of 1 1/4".