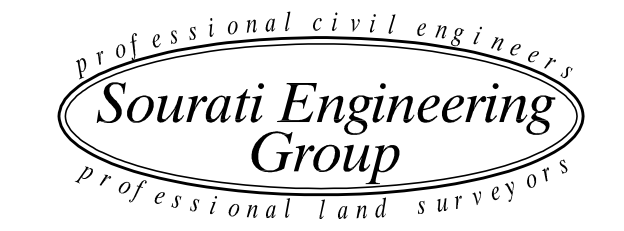
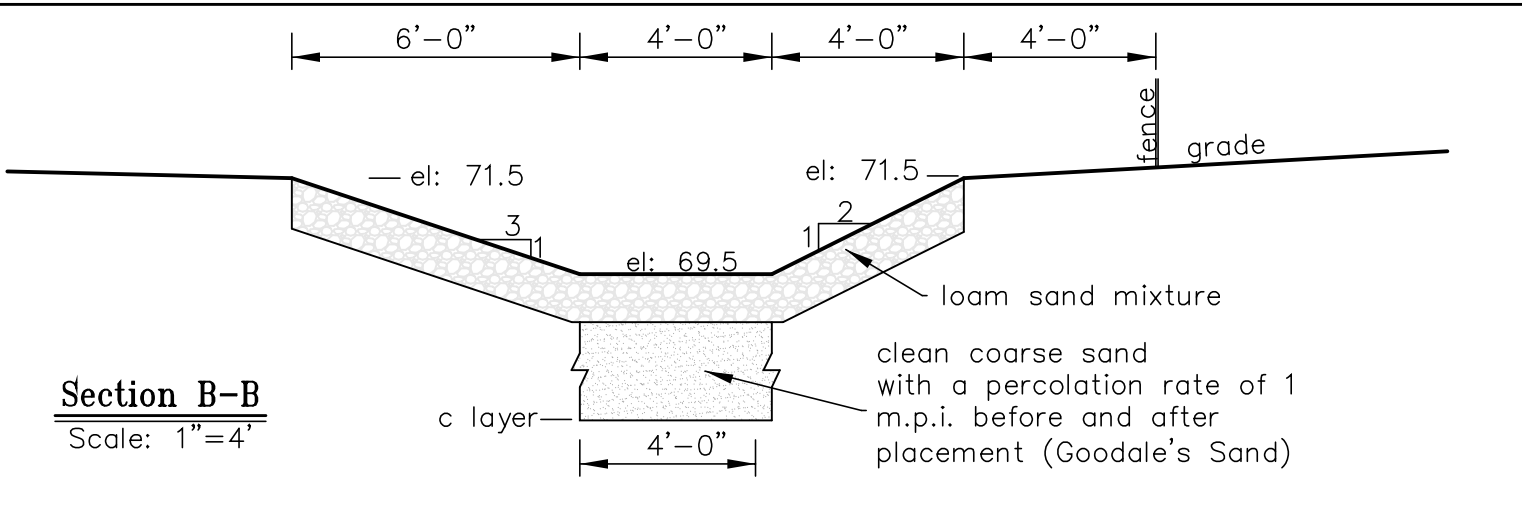
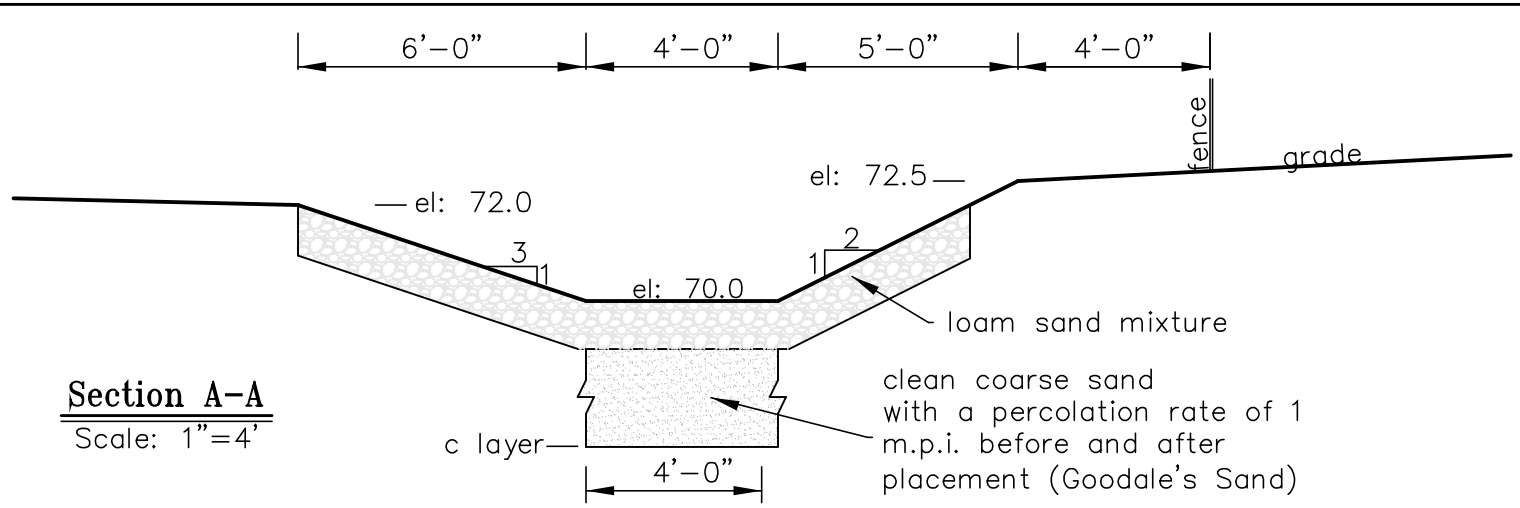


Martha's Vineyard Commission  
 Grading and Drainage Plan  
 in  
 Oak Bluffs, Massachusetts  
 Assessor Parcel 54 - 1 & 2  
 prepared for  
**Oak Bluffs Water District**  
 Scale 1"=40' June 28, 2016  
 Revised: July 13, 2016



P.O. Box 4458  
 107 Beach Road, Suite 202  
 Vineyard Haven, MA 02568  
 Phone (508) 693-9933 Fax (508) 693-4933



**Legend**

100	EXISTING CONTOUR
X 100.0	PROPOSED SPOT ELEVATION
100	PROPOSED CONTOUR
(dashed green line)	PROPOSED EDGE OF CLEARING