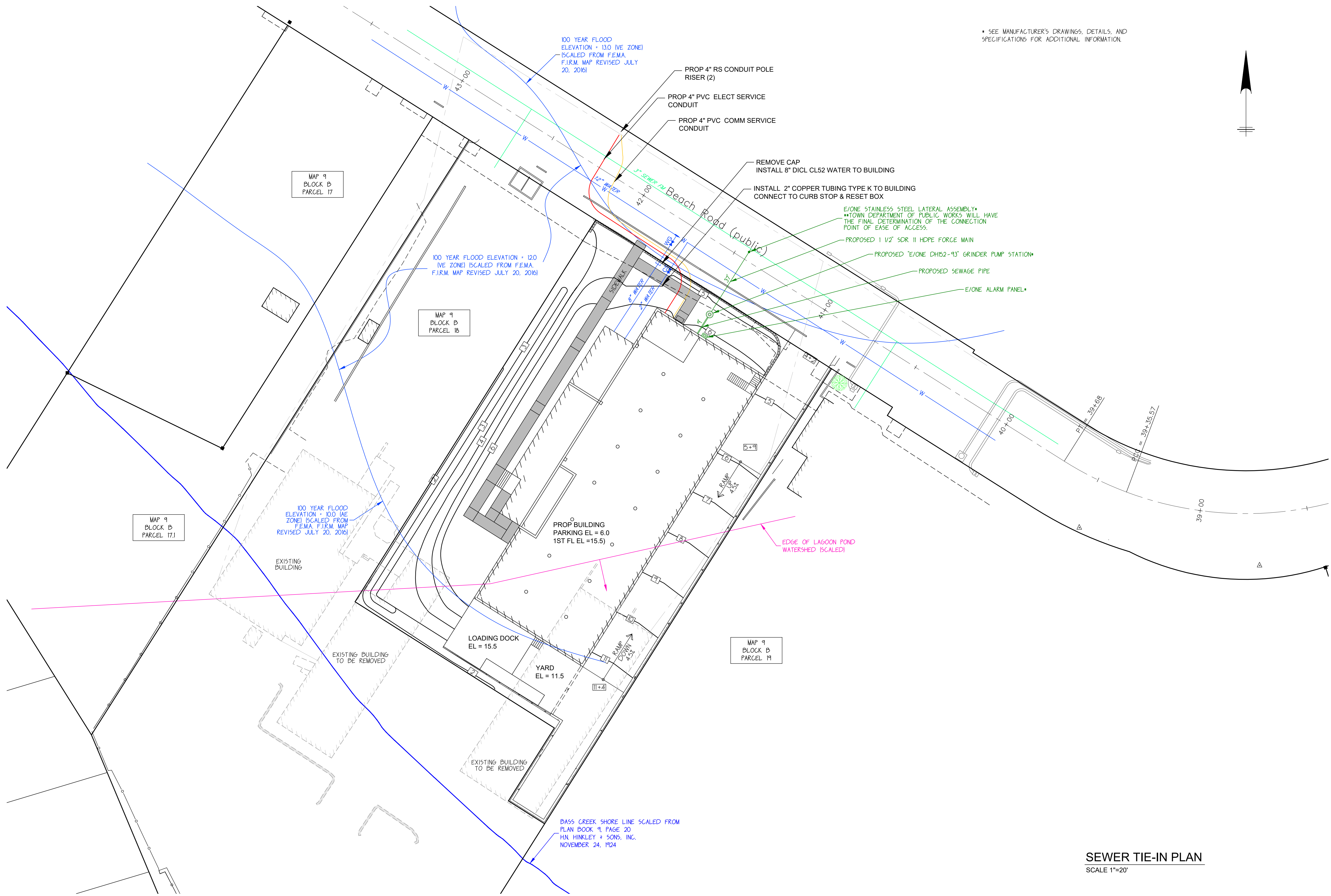
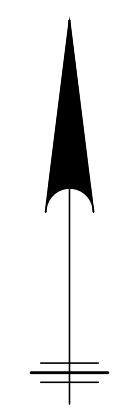
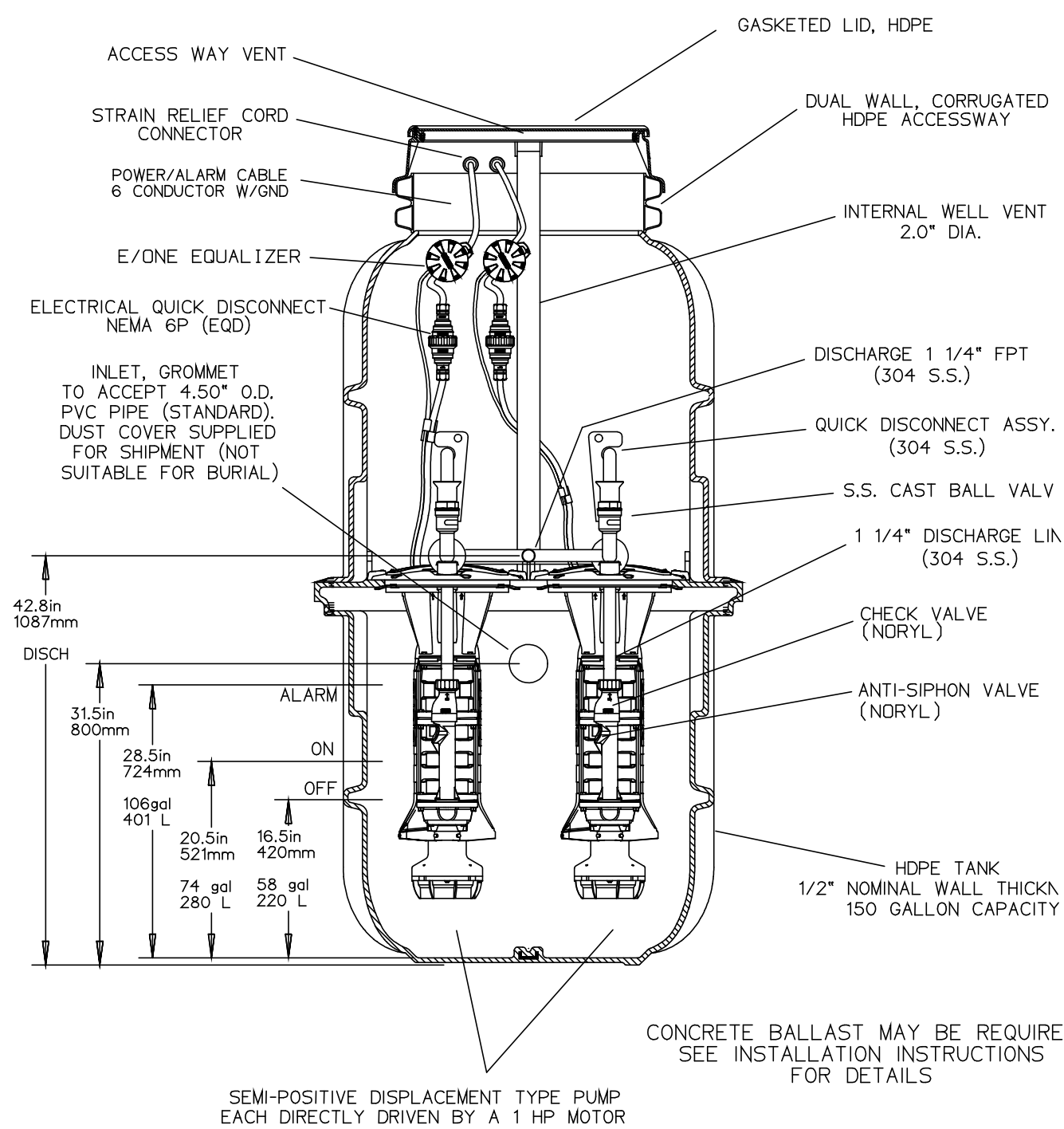


• SEE MANUFACTURER'S DRAWINGS, DETAILS, AND SPECIFICATIONS FOR ADDITIONAL INFORMATION.

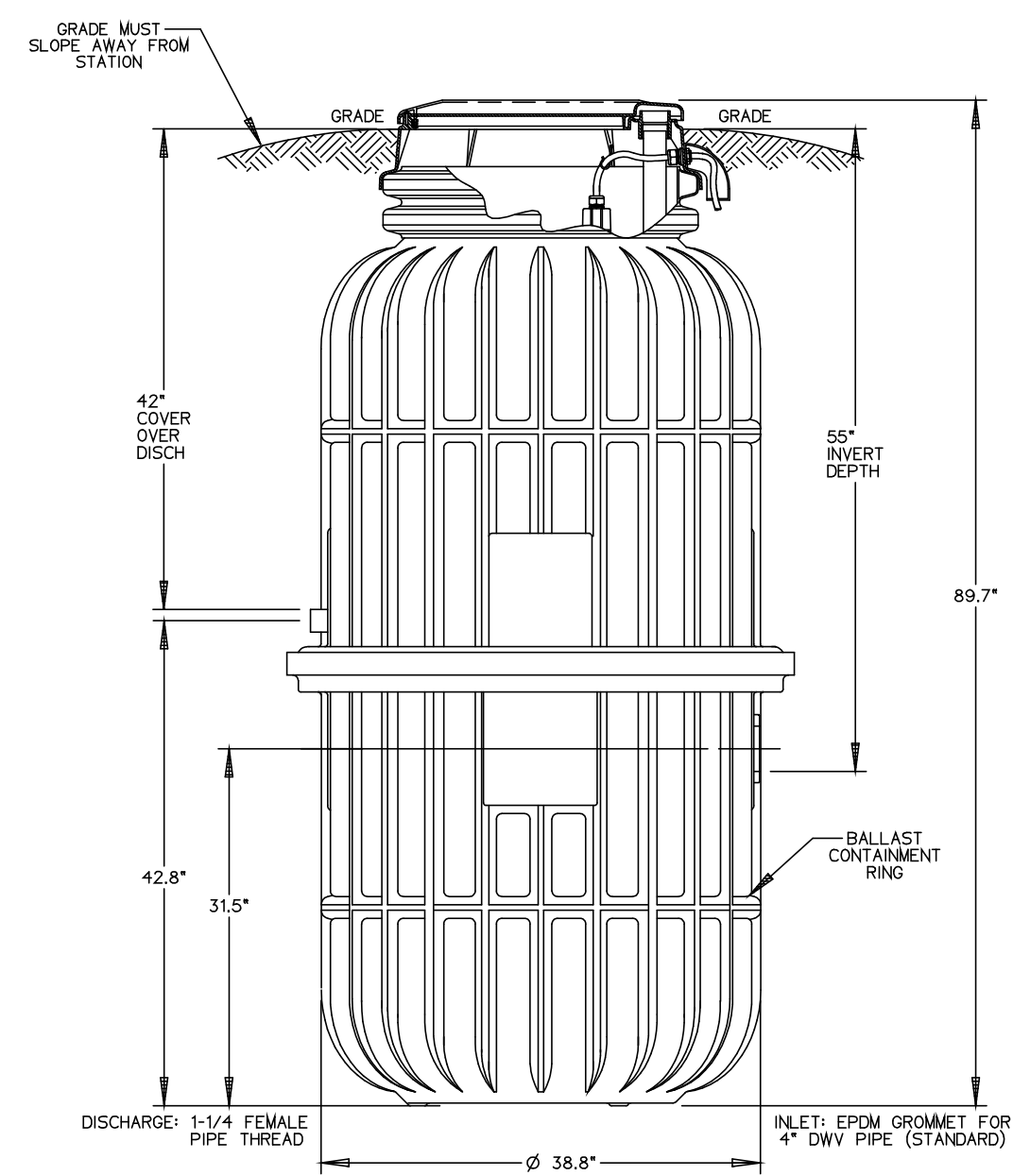


By:									
Date:									
Revisions:	<table border="1"> <tr><td> </td><td> </td></tr> <tr><td> </td><td> </td></tr> <tr><td> </td><td> </td></tr> <tr><td> </td><td> </td></tr> </table>								
Drawn By:									
Designed By:									
Checked By:									
Scale: As Noted									
Job No.:									
Date:	MARCH 14, 2022								
107 Beach Rd., Suite 202 P.O. Box 4458 Vineyard Haven, MA 02568 Phone: (508) 695-9933 Fax: (508) 695-4933 www.souratigroup.com	<p>SOURATI engineering group llc</p>								
<p>SEWER TIE-IN PLAN 69 BEACH ROAD TISBURY, MA</p>									
Sheet:	5.0								

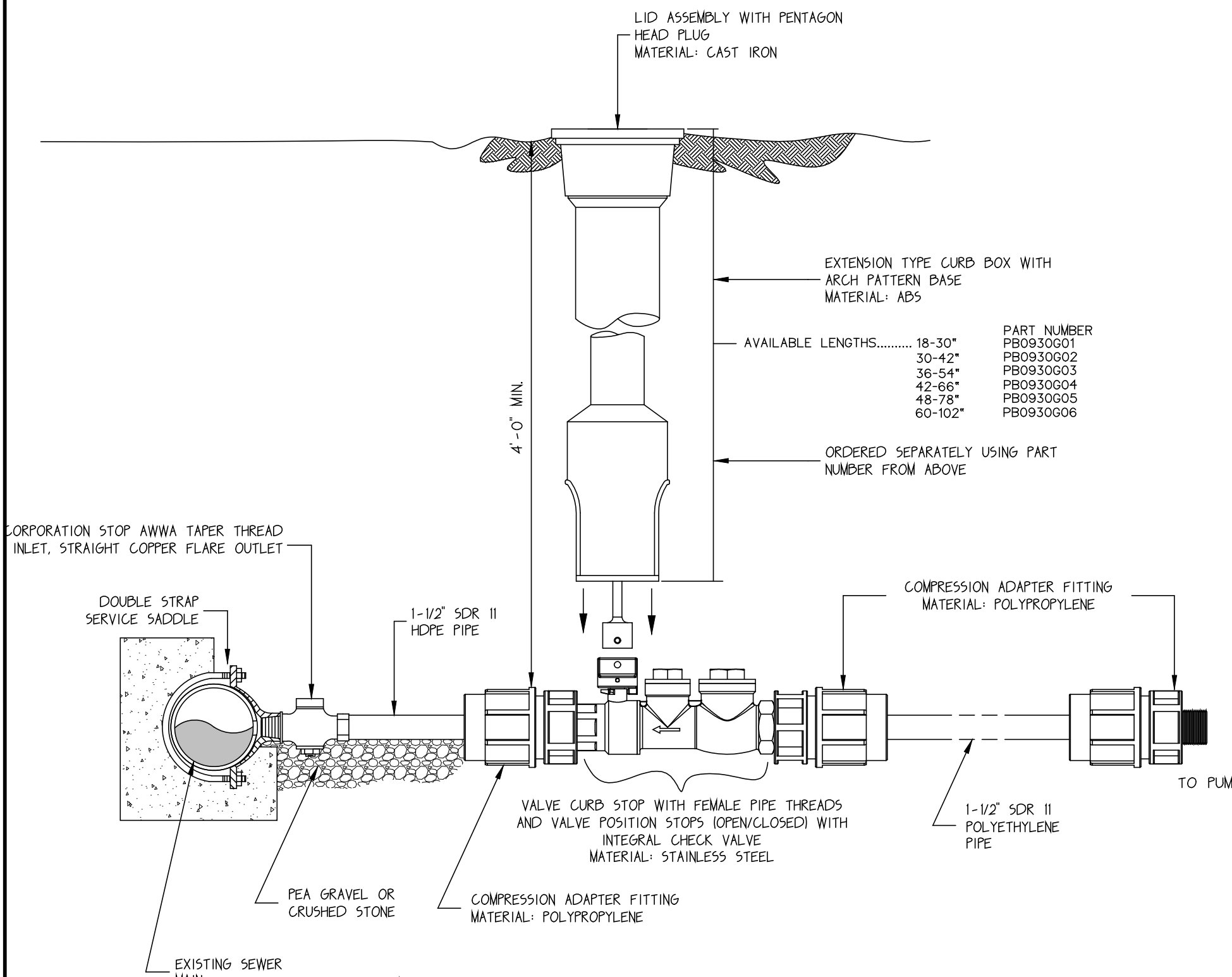
SEWER TIE-IN PLAN
SCALE 1"=20'



E/One DH152 Detail



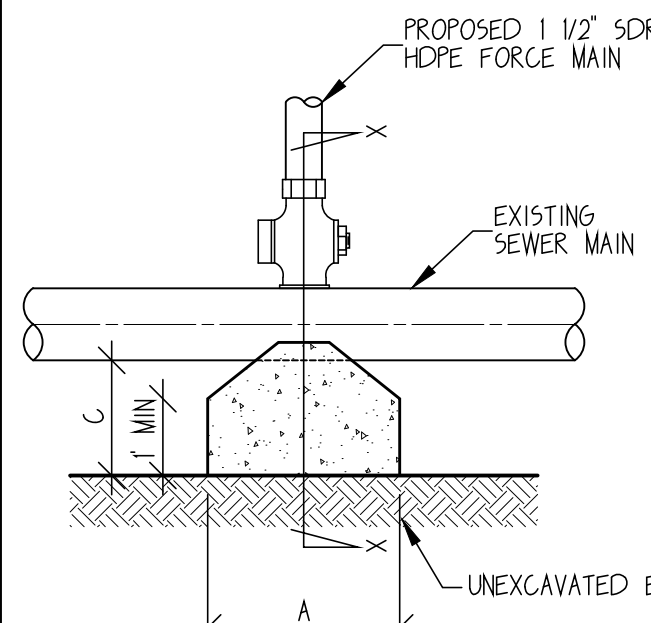
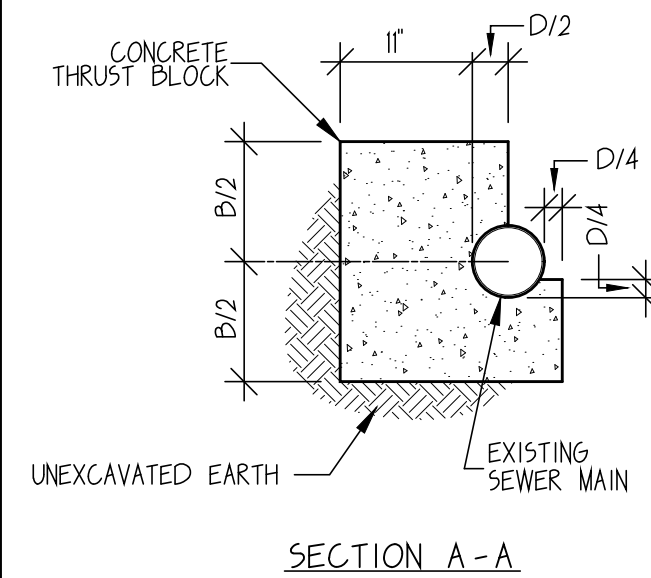
E/One DH152-93 Grinder Pump Station
Not To Scale



NOTES:

1. 55 CURD STOP/CHECK VALVE AND FITTINGS ARE PROVIDED SEPARATELY.
2. TO ASSEMBLE, APPLY A DOUBLE LAYER OF TEFLON TAPE, AND A LAYER OF PIPE DOPE (SUPPLIED BY OTHERS) TO THE THREADS ON THE PLASTIC FITTINGS AND INSTALL PER THE MANUFACTURER'S INSTRUCTIONS.
3. ASSEMBLY IS TO BE PRESSURE TESTED.
4. ASSEMBLY IS TO BE USED WITH SDR11 HDPE PIPE.
5. TO ORDER 55 LATERAL KIT, USE PART NUMBER NCO193602.
6. CURD BOX IS TO BE ORDERED SEPARATELY.

Typical Lateral Assembly Detail
Not To Scale

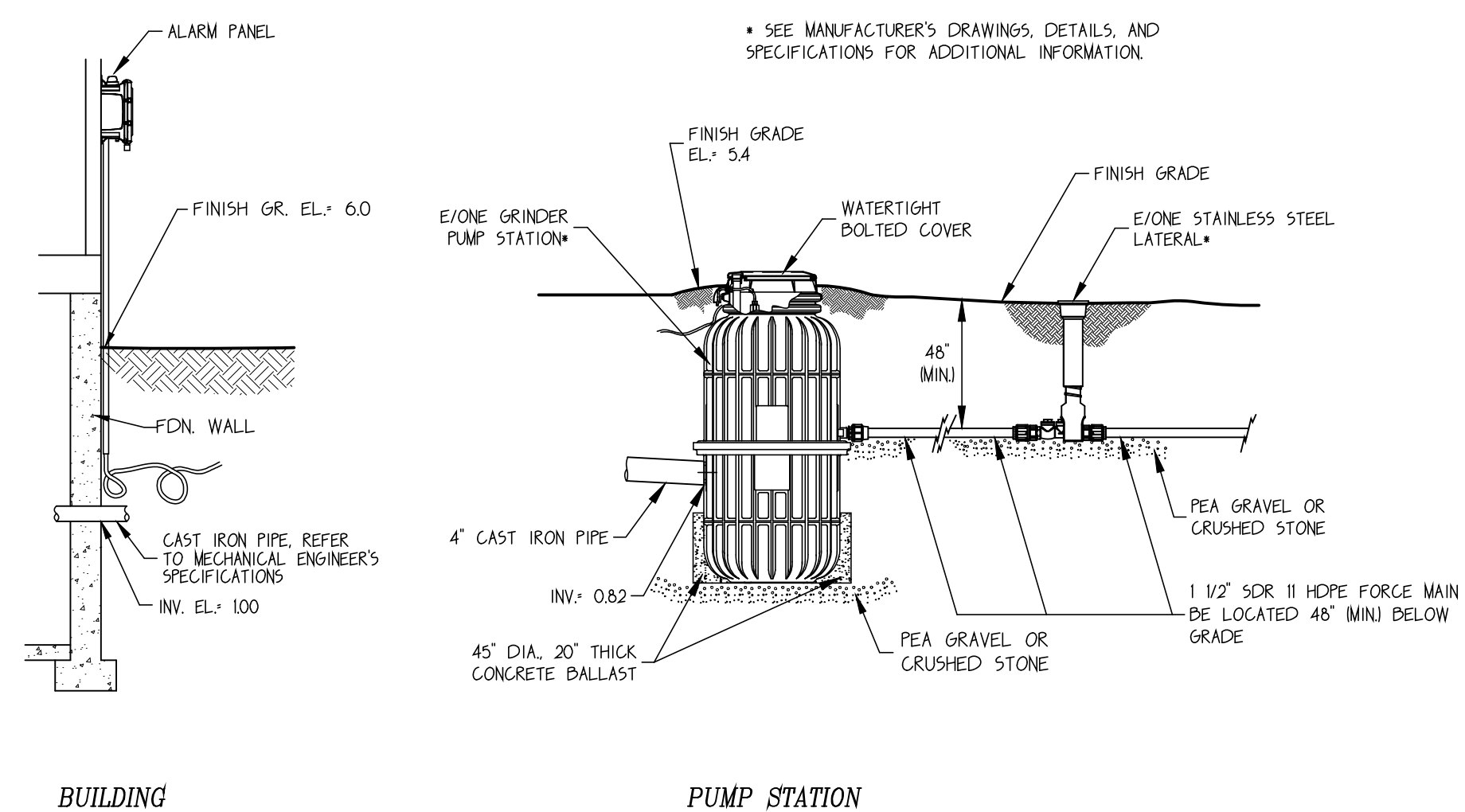


A (FT)	B (FT)	C (FT)	D (IN)
25'	15'	15'	3"

Concrete Thrust Block at EX. Sewer Main Connection Detail
Not To Scale

GENERAL NOTES:

1. INSTALLATION SHALL BE IN STRICT CONFORMITY WITH THE MANUFACTURER SPECIFICATIONS AND TO THE STANDARDS, THE RULES, AND REGULATIONS OF THE TISBURY WASTEWATER DEPT AND EVERSOURCE.
2. ALL SYSTEM COMPONENTS SHALL BE CONSTRUCTED OF CORROSION RESISTANT MATERIALS.
3. THE INSTALLATION OF PUMP STATION AND ALARM PANEL SHALL BE IN STRICT CONFORMANCE WITH THE MANUFACTURER'S INSTALLATION SPECIFICATIONS.
4. PUMPS ELECTRICAL LOAD IS 240-VOLT, SINGLE PHASE WITH 60 AMP BREAKER.
5. THE FIRST 10 FT OF ALL SEWER PIPES FROM THE BUILDINGS SHALL BE CAST IRON REFER TO MECHANICAL ENGINEER'S SPECIFICATIONS.
6. THE SEWER MAIN SHALL BE LOCATED AT LEAST 10 FEET AWAY FROM ALL WATER MAINS AND WATER LINES, AND AT LEAST 18-INCHES BELOW THE WATER MAIN WHERE THE SEWER CROSSES THE WATER MAIN. CONSULT WITH TISBURY WATER WORKS PRIOR TO THE SEWER MAIN INSTALLATION.
7. THE FORCE SEWER MAIN SHALL BE INSTALLED AT LEAST 4 FEET BELOW GRADE.
8. THE ENTIRE SYSTEM SHALL BE PRESSURE TESTED ACCORDING TO ACCEPTED STANDARDS (ASTM F2164). NOTIFY WASTEWATER DEPARTMENT WHEN CONSTRUCTION OF THE SYSTEM IS SCHEDULED. THE TOWN WILL INSPECT THE SYSTEM PRIOR TO FINAL CONNECTION AND WITNESS THE PRESSURE TESTING OF THE FORCE MAIN.
9. THIS PLAN DOES NOT SHOW ALL EXISTING AND PROPOSED UTILITIES.
10. THE CONTRACTOR SHALL SUBMIT ALL SHOP DRAWINGS TO THE ENGINEER FOR REVIEW TO DETERMINE GENERAL COMPLIANCE WITH THE DRAWINGS. IT SHALL BE THE CONTRACTOR'S RESPONSIBILITY TO MAKE CERTAIN THAT THE SHOP DRAWINGS AND CONSTRUCTION ARE IN CONFORMANCE WITH THE LATEST CIVIL DRAWINGS. OUR REVIEW DOES NOT GUARANTEE IN ANY WAY THAT THE SHOP DRAWINGS ARE IN COMPLIANCE WITH THE LATEST DRAWINGS.
11. ALL UNDERGROUND UTILITIES, INCLUDING WATER, PHONE, PROPANE, AND ELECTRICAL LINES, MUST BE LOCATED BY THE CONTRACTOR AND DIG SAFE SYSTEM, INC. MUST BE CONTACTED AT 1-888-344-7233 PRIOR TO ANY EXCAVATION.
12. LOCATIONS OF UNDERGROUND ELECTRIC AND TELECOMMUNICATION LINES ARE NOT LOCATED AND SHOWN ON SITE PLAN.



Profile of System
Not To Scale

SEWER TIE-IN DETAILS
NOT TO SCALE

By: _____ Date: _____

Revisions:

Scale: As Noted Drawn By: _____ Designed By: _____ Checked By: _____

Job No.: _____ Date: MARCH 14, 2022

107 Beach Rd., Suite 202
P.O. Box 4458
Vineyard Haven, MA 02568
Phone: (508) 693-9933
Fax: (508) 693-4933
www.souratigroup.com

SO URATI
engineering group llc

SEWER TIE-IN DETAILS
69 BEACH ROAD
TISBURY, MA

Sheet:
5.1